



Countess Ct

Countess Ct

Countess Ct

Countess Ct

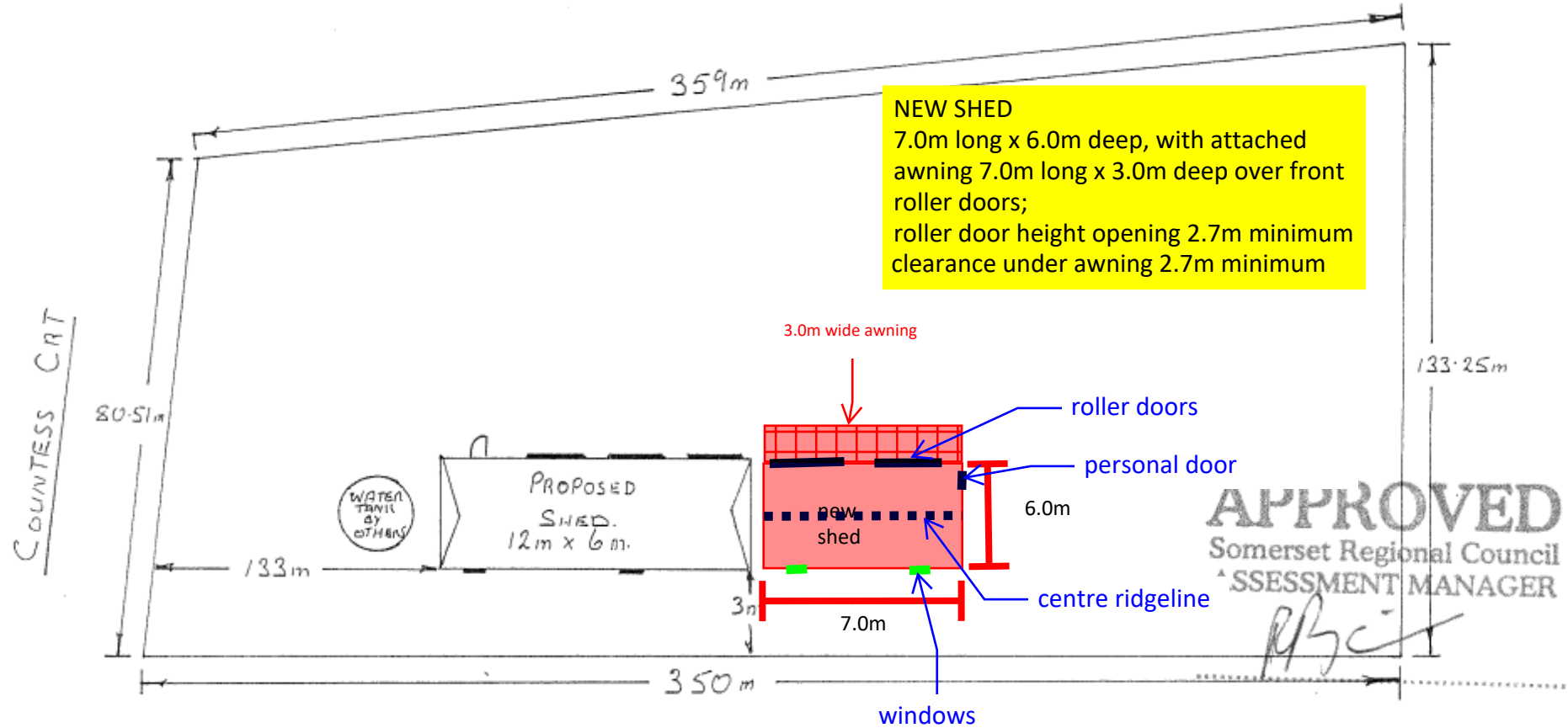
new shed

Google

Layers

ATTACHMENT 2 - DA6999

Building Plan



Notes Construction to be in accordance with attached Engineers plans.
Stormwater to be connected to approved system by owners.

Special Note: Concrete to refer to Engineers Dimension for concrete slab.

<p>Site Address: 34 Countess Crt Mt Hallen Phone: 0733-904-511 Name: Bruce & Lynette Russek</p>	<p>Lot No. 51 Reg Plan : 880070 Vol _____ Folio _____ Area _____ County: Cavendish Parish : Buaraba I agree with siting as shown Client signature _____</p>	<p>Builder: Rural & Residential Constructions Pty Ltd Reg No. 705868 Address: 393 Taylor St, Toowoomba. 4350 Description of Building : Garage Drawn by _____ ST _____ Date 21/1/08</p>	<p>Scale Site Plan Scale ____ NTS ____ Elevation Scale ____ Form SF3</p>
---	---	--	--