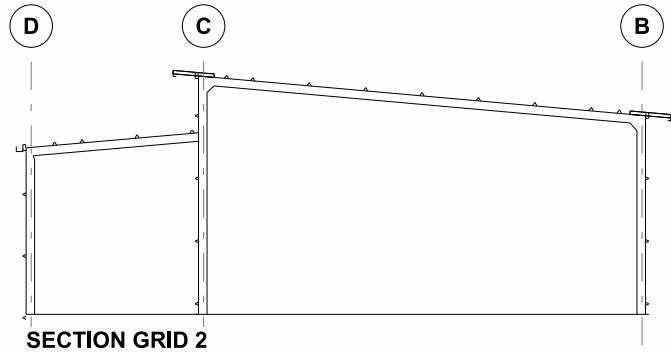
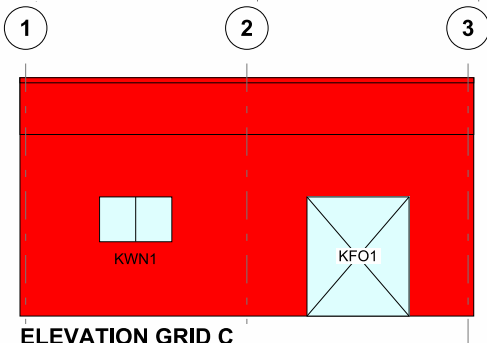


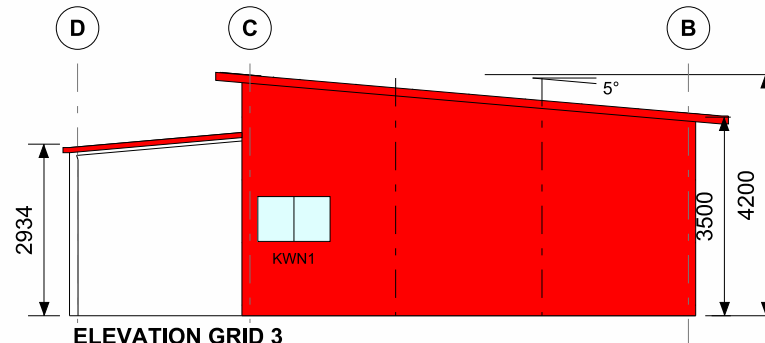
FRAME ROOF PLAN



SECTION GRID 2



ELEVATION GRID C



ELEVATION GRID 3

CLADDING			
ITEM	PROFILE (min)	FINISH	COLOUR
ROOF	CUSTOM ORB 0.42 BMT	CB	AA
WALLS	CUSTOM ORB 0.42 BMT	CB	AA
CORNERS	-	CB	AA
BARGE	-	CB	AA
GUTTER	HI-QUAD	CB	AA
DOWNPIPE	90x90	PV	WT

0.35bmt=0.40tct; 0.42bmt=0.47tct; 0.48bmt=0.53tct

ACCESSORY SCHEDULE & LEGEND

QTY	MARK	DESCRIPTION
1	RD1	B&D, Firmadour, R.D, Residential "R1F", 2925 high x 2700 wide Clear Opening C/B
1	RD2	B&D, Firmadour, R.D, Drive Through "R1F", 3000 high x 2700 wide Clr. Open. C/B
1	L200-37	Lamec Door & Frame Kit, 200/47, Std. 2040 x 820 C/Bond
2	KWN1	AMI - Reg A & B, 790x1274 CLR + FG Barrier Screen, Window Kit (BDSP)
1	KFO1	2100H x 1800W Framed Opening. Door must be fitted
1	SP1	Sheeting, Polycarbonate, Corrugated Profile (SGFGS/AFCB)

ARCHITECTURAL DRAWING ONLY, NOT FOR CONSTRUCTION USE

CLIENT <b>Keith Parmenter</b>			
SITE <b>26 Nowland St CHINCHILLA QLD 4413</b>			
BUILDING <b>SUNDOWN DELUXE SKILLION 8000 SPAN x 3500/4200 EAVE x 8000 LONG PLUS 3040 ANNEXE</b>			
TITLE <b>GENERAL ARRANGEMENT</b>			
SCALE A4 SHEET 1:125	DRAWING NUMBER <b>TOOW01-33435</b>	REV <b>A</b>	PAGE <b>1/2</b>

