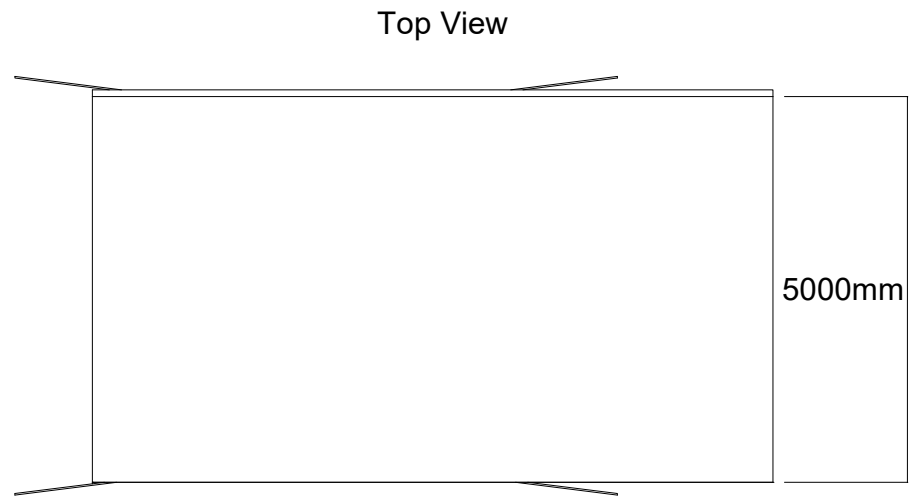
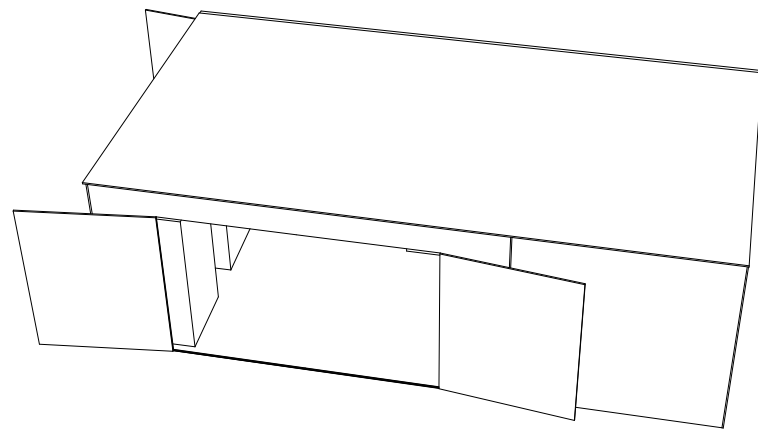
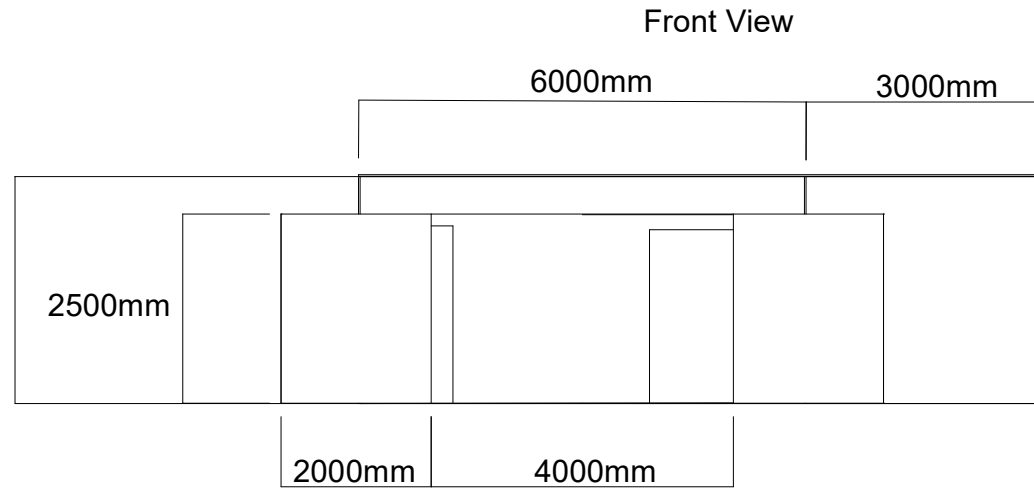
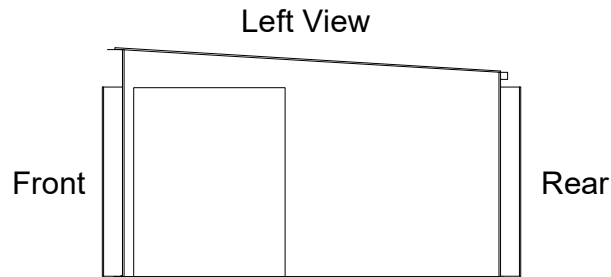


Toilet Block

691 Hermitage Rd, Pokolbin



Note:
 Double doors front and back of toilet area.
 Size - 2000mm wide X 2500mm high, each.

Storage room door is same size, however is only a single door.

Toilet area needs to have the floor sealed and provided drainage towards the centre of the room to facilitate drainage out of the doors

Internal space will require extra ventilation.
 Due to height restrictions for exempt developments
 Slim line solar powered extractors are preferred.