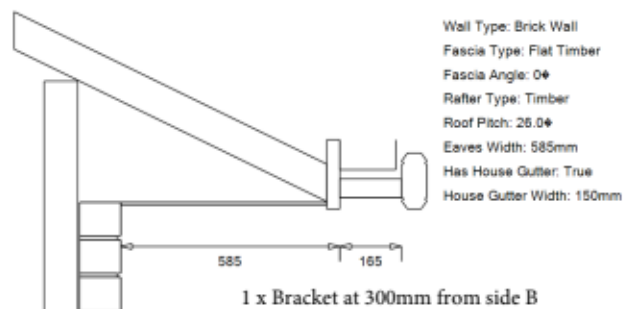


A - Flat Attached To Fascia Using Attachment Beam



B - Flat Attached To Fascia Using Attachment Beam

