



**GENERAL NOTES**

1. ALL DIMENSIONS AND BUILDING DIMENSIONS SHOWN TO CORNER OR CENTERLINE UNLESS OTHERWISE NOTED.
2. DIMENSIONS OF THE PLANS, FIGURED DIMENSIONS ARE TO BE USED, UNLESS OTHERWISE NOTED.
3. THESE DRAWINGS SHALL BE READ IN CONJUNCTION WITH THE REQUISITE REGULATIONS, LOCAL BY-LAWS AND LOCAL COUNCIL REQUIREMENTS.
4. WORKS MUST COMPLY WITH N.C.A. AND LOCAL COUNCIL REQUIREMENTS.
5. APPROVED DRAWINGS SHALL BE ACCEPTED BY M.A.D.S. IF ANY OF THE DRAWINGS HAS BEEN MODIFIED, DELETED OR ADDED TO IN ANY WAY WITHOUT THE WRITTEN PERMISSION OF M.A.D.S.
6. THE CLIENT IS RESPONSIBLE FOR OBTAINING ALL NECESSARY PERMITS, APPROVALS, CONSENTS, EASEMENTS AND COVENANTS FROM THE RELEVANT AUTHORITIES TO DETERMINE WHETHER THE PROPOSED DEVELOPMENT IS FEASIBLE AND TO OBTAIN THE NECESSARY APPROVALS AND COVENANTS FROM THE RELEVANT AUTHORITIES.
7. THE CLIENT IS RESPONSIBLE FOR OBTAINING ALL NECESSARY APPROVALS AND COVENANTS FROM THE RELEVANT AUTHORITIES.
8. THE CLIENT IS RESPONSIBLE FOR OBTAINING ALL NECESSARY APPROVALS AND COVENANTS FROM THE RELEVANT AUTHORITIES.
9. THE CLIENT IS RESPONSIBLE FOR OBTAINING ALL NECESSARY APPROVALS AND COVENANTS FROM THE RELEVANT AUTHORITIES.
10. THE CLIENT IS RESPONSIBLE FOR OBTAINING ALL NECESSARY APPROVALS AND COVENANTS FROM THE RELEVANT AUTHORITIES.

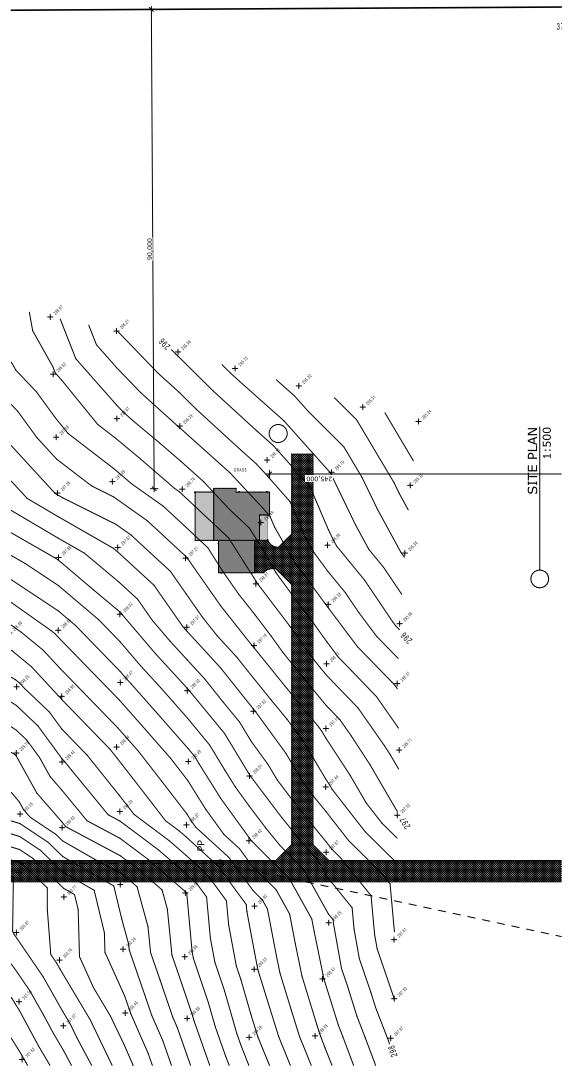
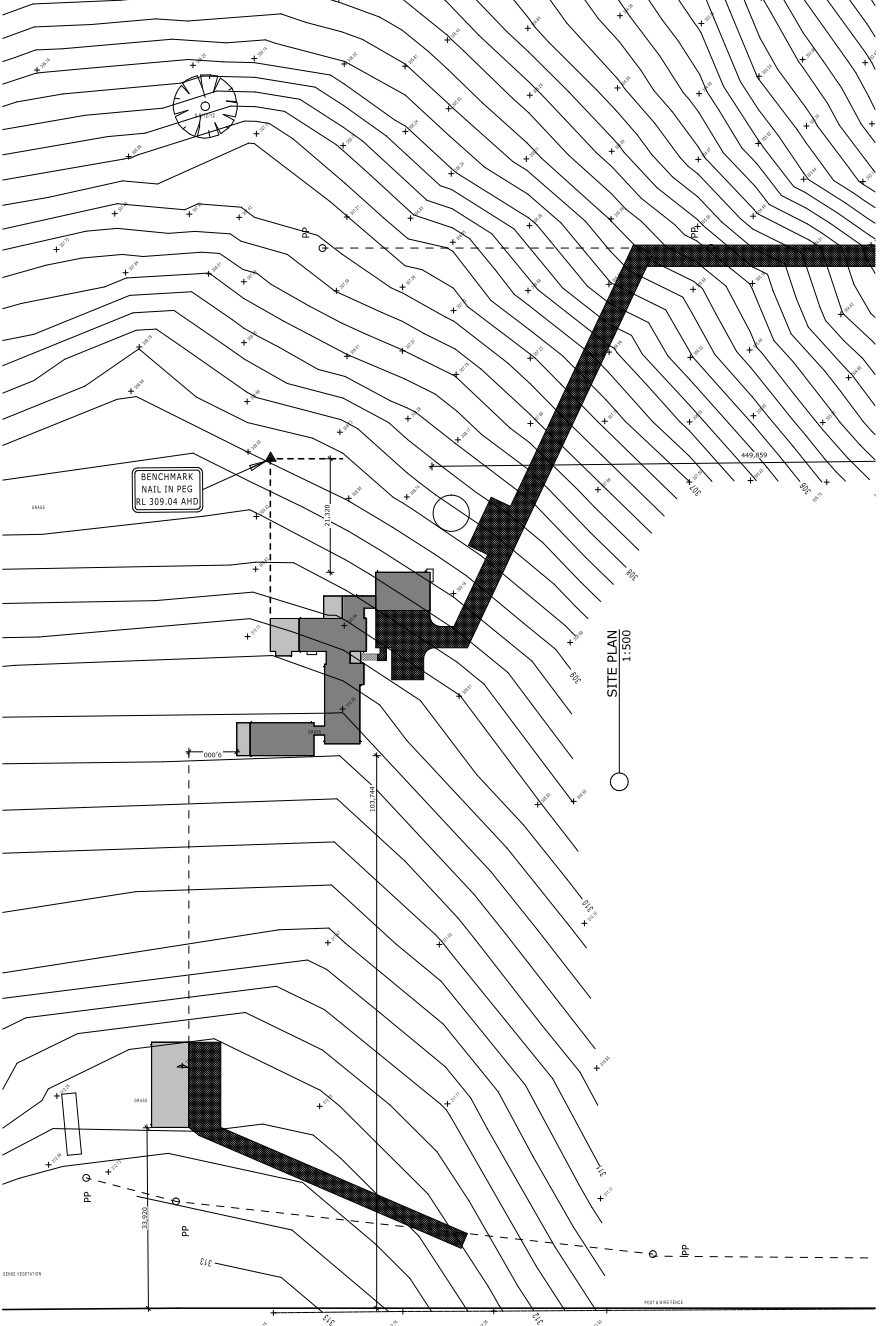
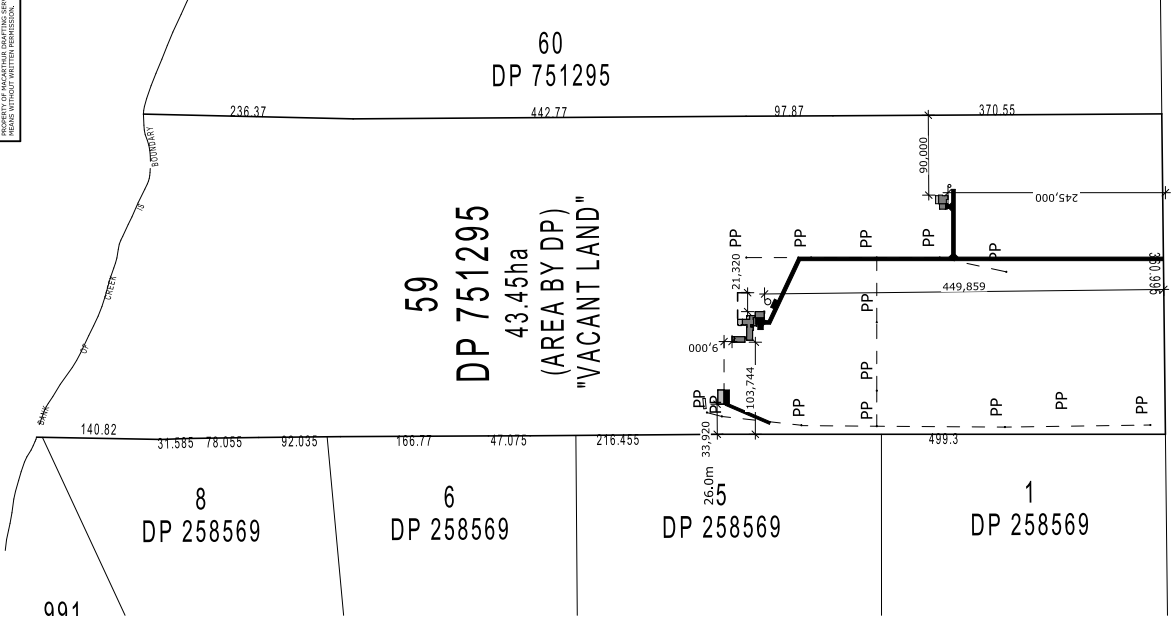
**APPROVED PLAN**  
 Development Consent:  
 DA/2023/7031  
 Determined: 11/10/2023

**Wollondilly**  
 SHIRE COUNCIL

CLIENT: MR J DURBRIDGE  
 DATE: 6.10.2022  
 DRAWING NO: 6793  
 SHEET: 8/14  
 SCALE: A1  
 SHEET: H

PROPOSED DWELLING AND SECONDARY DWELLING  
 SITE PLAN

LOT 59, DP 751295  
 LOT 58, DP 751295  
 LOT 57, DP 751295  
 LOT 56, DP 751295  
 LOT 55, DP 751295  
 LOT 54, DP 751295  
 LOT 53, DP 751295  
 LOT 52, DP 751295  
 LOT 51, DP 751295  
 LOT 50, DP 751295  
 LOT 49, DP 751295  
 LOT 48, DP 751295  
 LOT 47, DP 751295  
 LOT 46, DP 751295  
 LOT 45, DP 751295  
 LOT 44, DP 751295  
 LOT 43, DP 751295  
 LOT 42, DP 751295  
 LOT 41, DP 751295  
 LOT 40, DP 751295  
 LOT 39, DP 751295  
 LOT 38, DP 751295  
 LOT 37, DP 751295  
 LOT 36, DP 751295  
 LOT 35, DP 751295  
 LOT 34, DP 751295  
 LOT 33, DP 751295  
 LOT 32, DP 751295  
 LOT 31, DP 751295  
 LOT 30, DP 751295  
 LOT 29, DP 751295  
 LOT 28, DP 751295  
 LOT 27, DP 751295  
 LOT 26, DP 751295  
 LOT 25, DP 751295  
 LOT 24, DP 751295  
 LOT 23, DP 751295  
 LOT 22, DP 751295  
 LOT 21, DP 751295  
 LOT 20, DP 751295  
 LOT 19, DP 751295  
 LOT 18, DP 751295  
 LOT 17, DP 751295  
 LOT 16, DP 751295  
 LOT 15, DP 751295  
 LOT 14, DP 751295  
 LOT 13, DP 751295  
 LOT 12, DP 751295  
 LOT 11, DP 751295  
 LOT 10, DP 751295  
 LOT 9, DP 751295  
 LOT 8, DP 751295  
 LOT 7, DP 751295  
 LOT 6, DP 751295  
 LOT 5, DP 751295  
 LOT 4, DP 751295  
 LOT 3, DP 751295  
 LOT 2, DP 751295  
 LOT 1, DP 751295



SITE PLAN  
1:500

SITE PLAN  
1:500

SITE PLAN  
1:500

SITE PLAN  
1:500