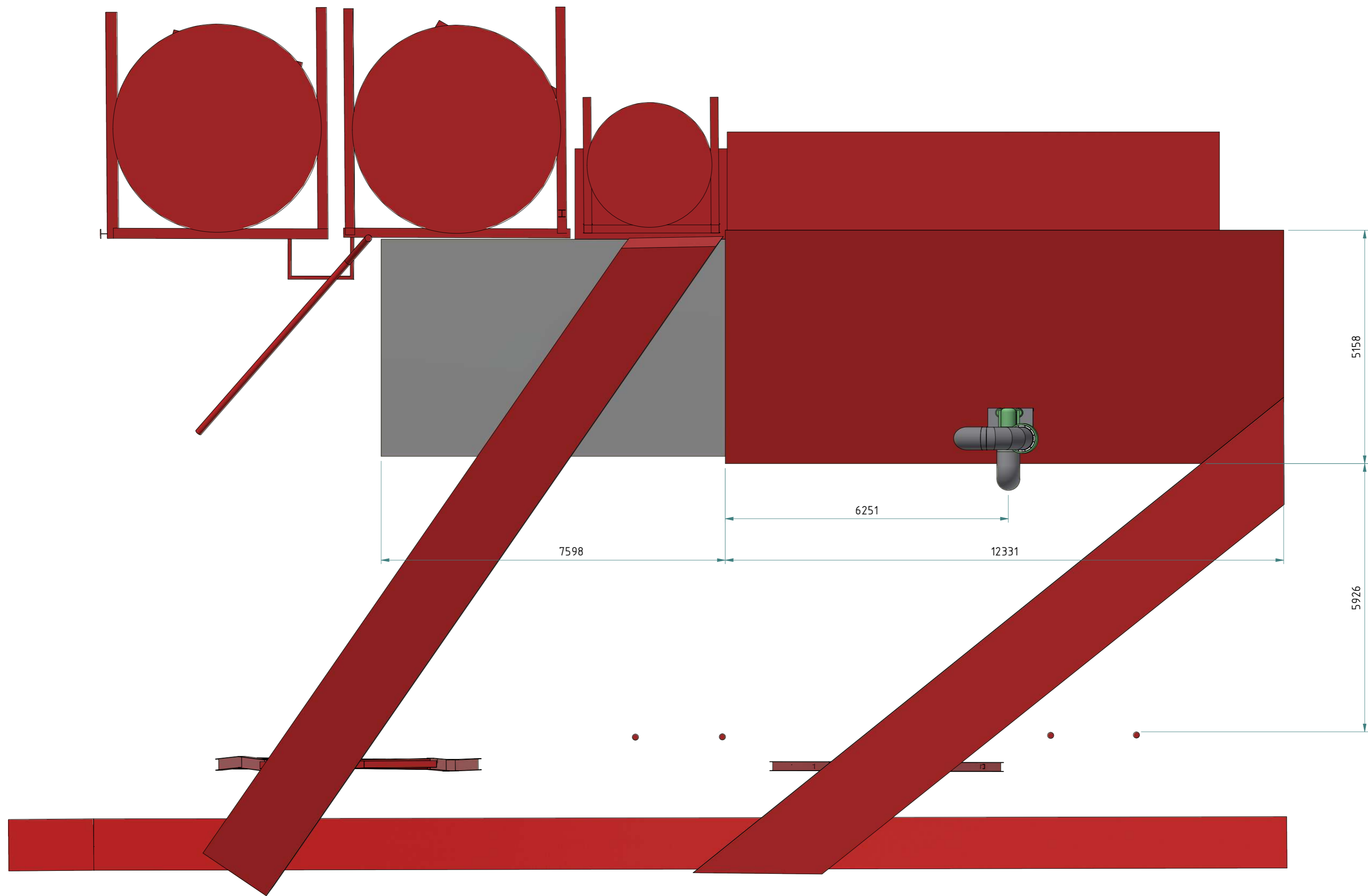


PARTS LIST			
ITEM	DESCRIPTION	QTY	DRG No.
1	SITE	1	
2	DUST COLLECTOR DUCTING	1	
3	EXISTING GRATING	1	
4	CHUTE 1	1	
5	DUST FILTER - TBLT20	1	
6	PLATFORM DUST COLLECTOR GROUND	1	
7	SHED EXTENSION	1	
8	PLATFORM DUST COLLECTOR OUTLET	1	
9	ROLLER DOOR	1	
10	DUST FILTER - TBLT10	1	
11	CHUTE 2	1	

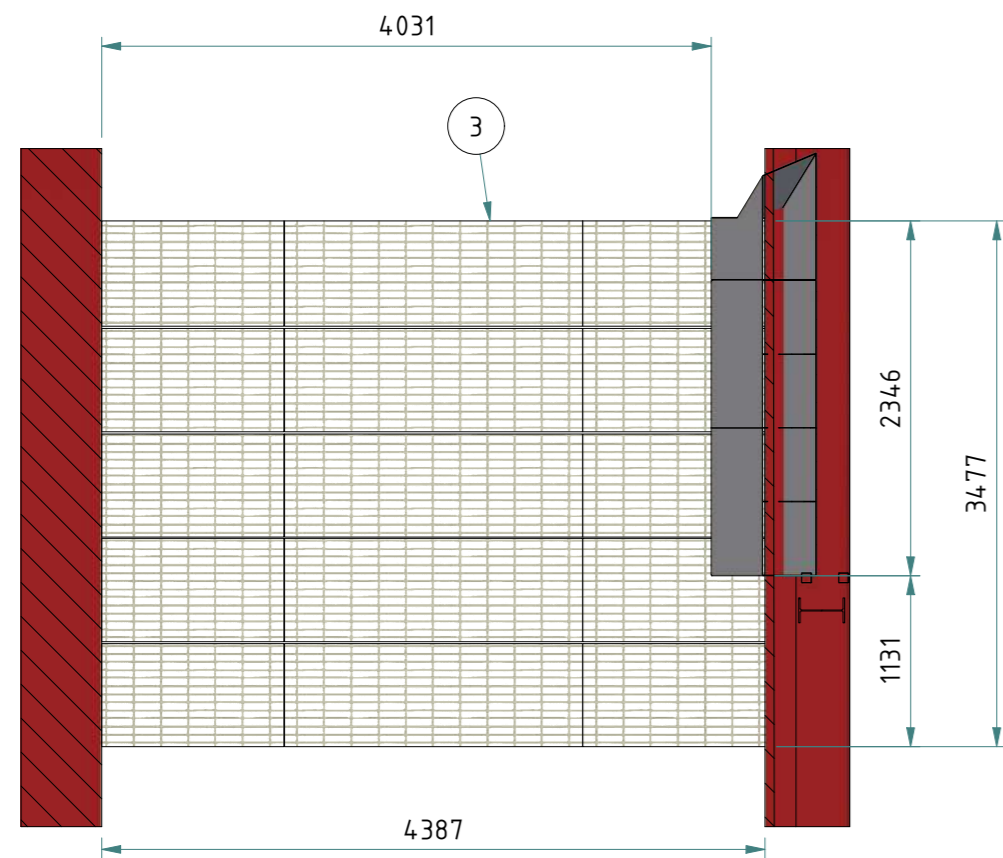
REVISION HISTORY			
REV	DESCRIPTION	DATE	APPROVED
A	EXTEND SHED HEIGHT	23/08/2024	

<p>LGPM PROCESS INNOVATION Bulk Materials Handling & Processing Systems</p> <p>47-49 OVERSEAS DRIVE NOBLE PARK, VIC 3174 PHONE: +61 (03) 9702 4855 EMAIL: info@lgpm.com.au WEBSITE: www.lgpm.com.au</p> <p><small>THIS DRAWING, ALL INFORMATION & DESIGNS HEREON, ARE THE PROPERTY OF LGPM. THIS DRAWING IS CONFIDENTIAL & MUST NOT BE MADE PUBLIC OR COPIED WITHOUT PRIOR WRITTEN AUTHORIZATION FROM LGPM AND IS SUBJECT TO RETURN ON DEMAND. NO USE OF THIS DRAWING, ANY INFORMATION OR DESIGNS HEREON IS PERMITTED EXCEPT WHEN SPECIFICALLY AUTHORISED IN WRITING BY LGPM. ACCEPTANCE & POSSESSION OF THIS DRAWING CONSTITUTES AGREEMENT OF THE ABOVE CONDITIONS.</small></p>	MDL	JSF	20/12/2023	CLIENT & PROJECT LOCATION BAIADA HFM - HANDWOOD, NSW INTAKE UPGRADE DUST COLLECTOR GENERAL LAYOUT
	DRN	rmandrillon	20/08/2024	
	CHK			
UNLESS OTHERWISE SPECIFIED, ALL DIMENSIONS ARE IN mm			SCALE	1:70
THIRD ANGLE PROJECTION			A2	P&ID ITEM No. DRG No. Q53295-00001 REV. A SHT 1 OF 3

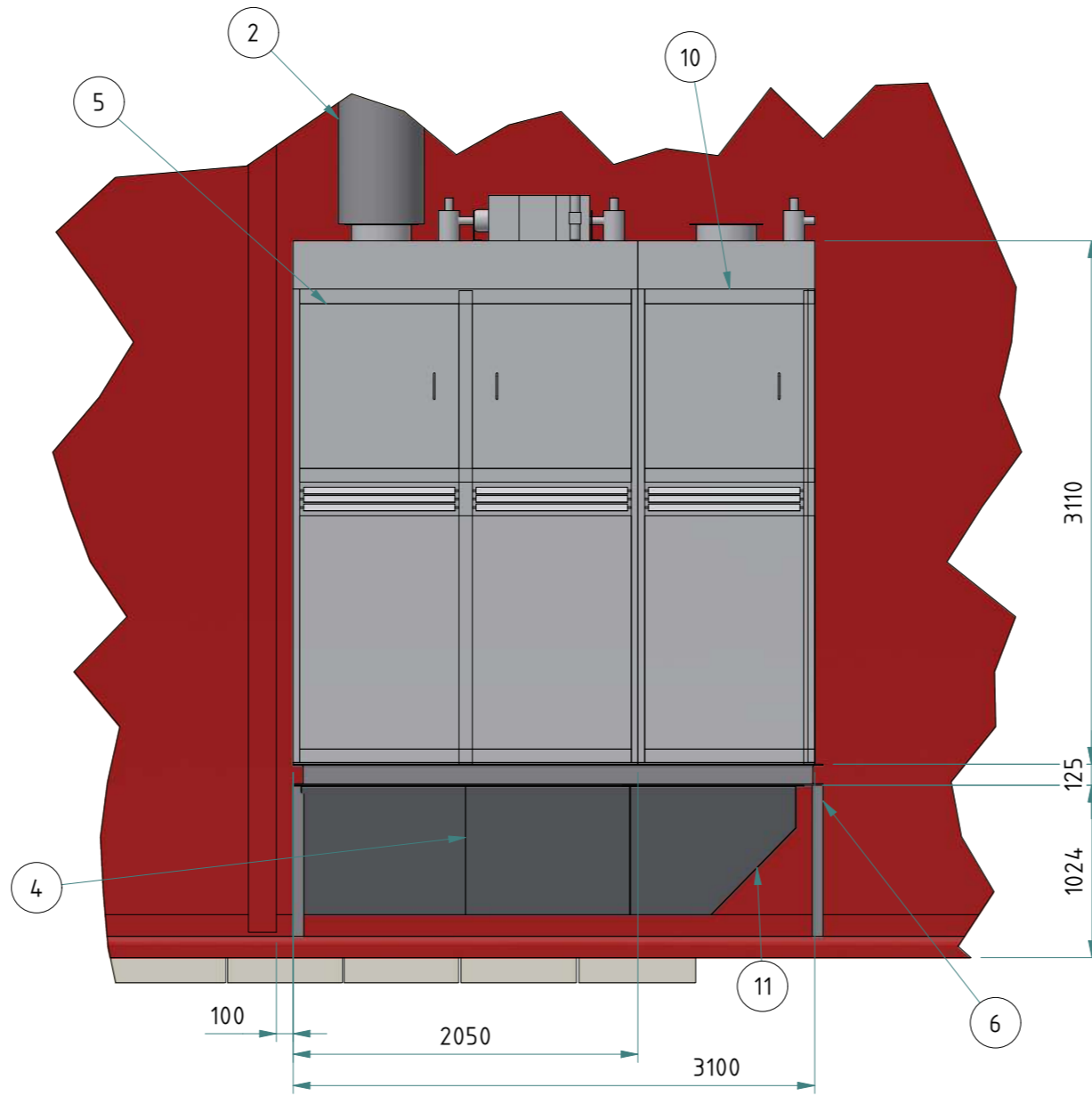


<p>LGPM PROCESS INNOVATION Bulk Materials Handling & Processing Systems</p> <p>47-49 OVERSEAS DRIVE NOBLE PARK, VIC 3174 PHONE: +61 (03) 9702 4855 EMAIL: info@lgpm.com.au WEBSITE: www.lgpm.com.au</p> <p><small>THIS DRAWING, ALL INFORMATION & DESIGNS HEREON, ARE THE PROPERTY OF LGPM. THIS DRAWING IS CONFIDENTIAL & MUST NOT BE MADE PUBLIC OR COPIED WITHOUT PRIOR WRITTEN AUTHORIZATION FROM LGPM AND IS SUBJECT TO RETURN ON DEMAND. NO USE OF THIS DRAWING, ANY INFORMATION OR DESIGNS HEREON IS PERMITTED EXCEPT WHEN SPECIFICALLY AUTHORISED IN WRITING BY LGPM. ACCEPTANCE & POSSESSION OF THIS DRAWING CONSTITUTES AGREEMENT OF THE ABOVE CONDITIONS.</small></p>	MDL	JSF	20/12/2023	CLIENT & PROJECT LOCATION	
	DRN	rmandrillon	20/08/2024	BAIADA HFM - HANDWOOD, NSW	
	CHK			INTAKE UPGRADE DUST COLLECTOR GENERAL LAYOUT	
UNLESS OTHERWISE SPECIFIED, ALL DIMENSIONS ARE IN mm			SCALE	1:70	
THIRD ANGLE PROJECTION			A2	P&ID ITEM No.	DRG No. Q53295-00001
				REV. A	SHT 2 OF 3

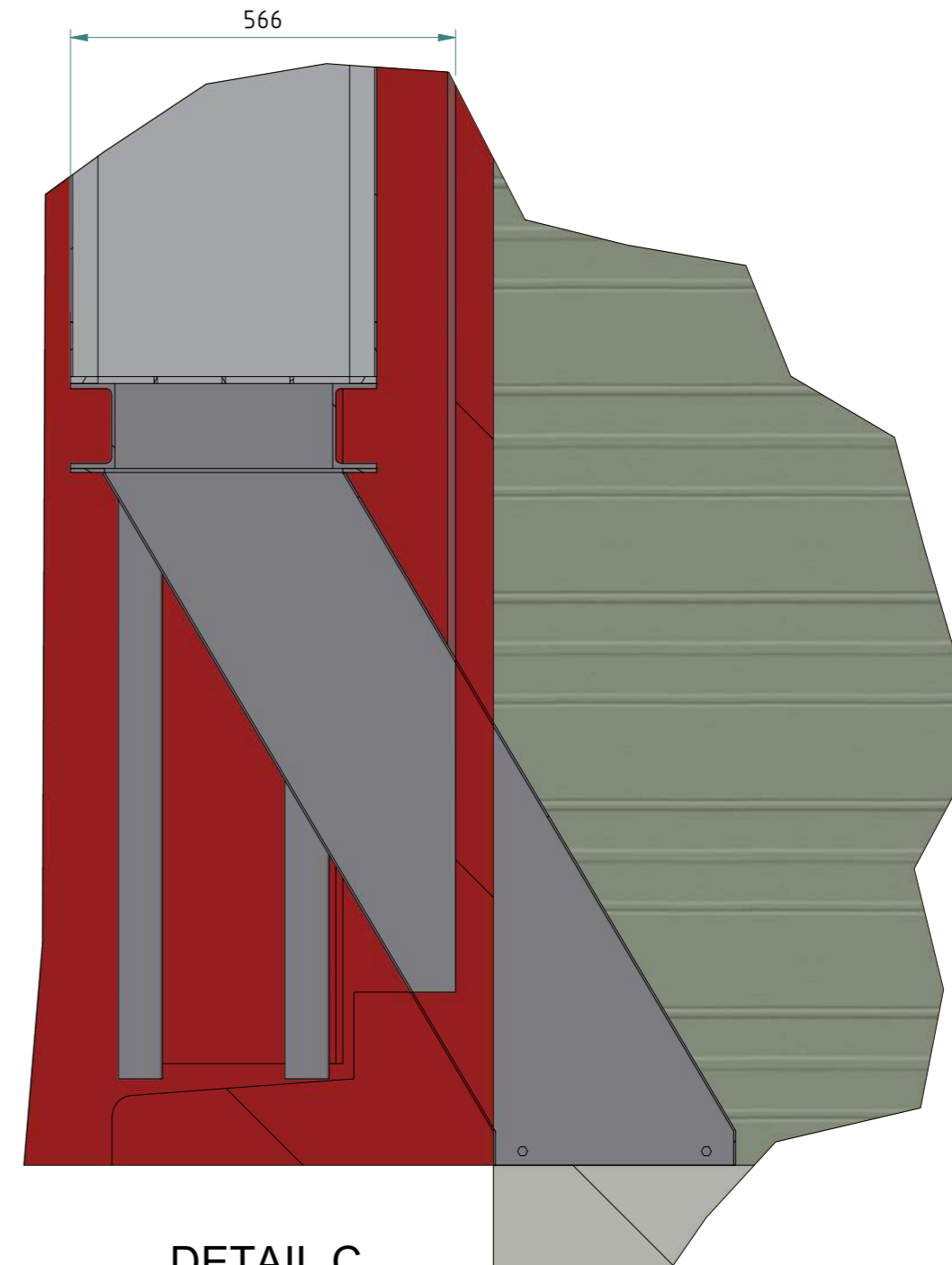
PARTS LIST			
ITEM	DESCRIPTION	QTY	DRG No.
1	SITE	1	
2	DUST COLLECTOR DUCTING	1	
3	EXISTING GRATING	1	
4	CHUTE 1	1	
5	DUST FILTER - TBLT20	1	
6	PLATFORM DUST COLLECTOR GROUND	1	
7	SHED EXTENSION	1	
8	PLATFORM DUST COLLECTOR OUTLET	1	
9	ROLLER DOOR	1	
10	DUST FILTER - TBLT10	1	
11	CHUTE 2	1	



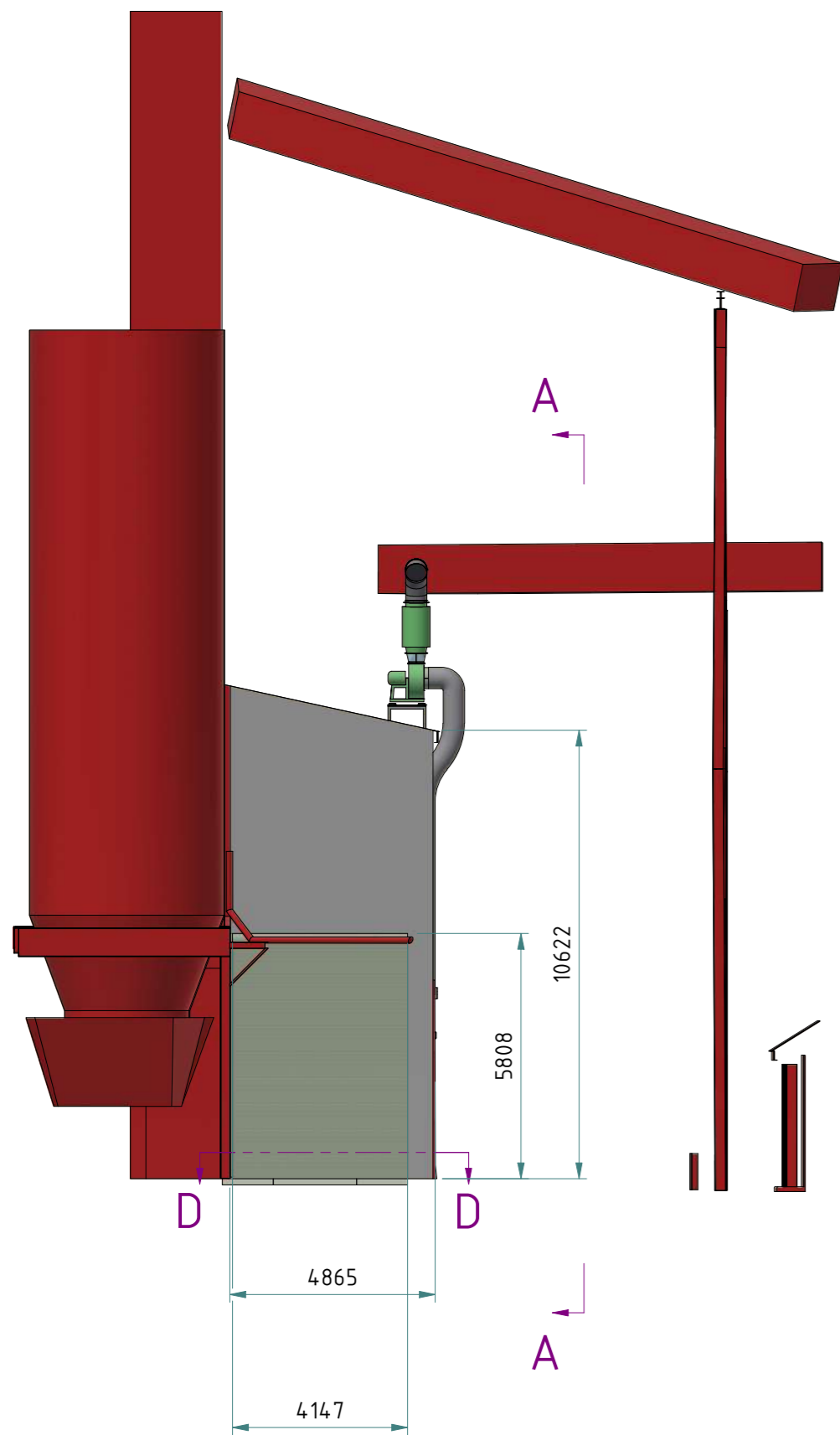
SECTION D-D
1 : 50



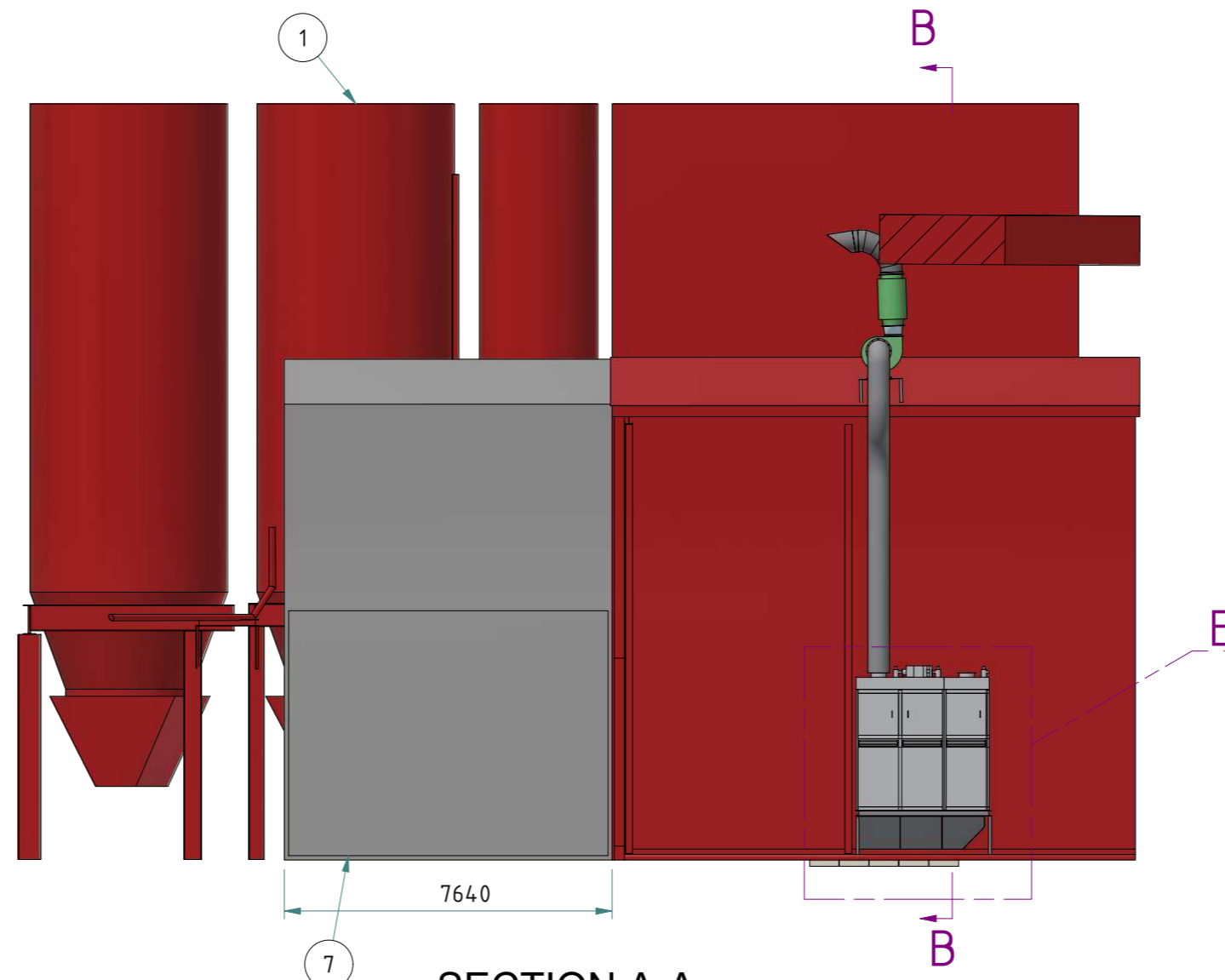
DETAIL E
1 : 40



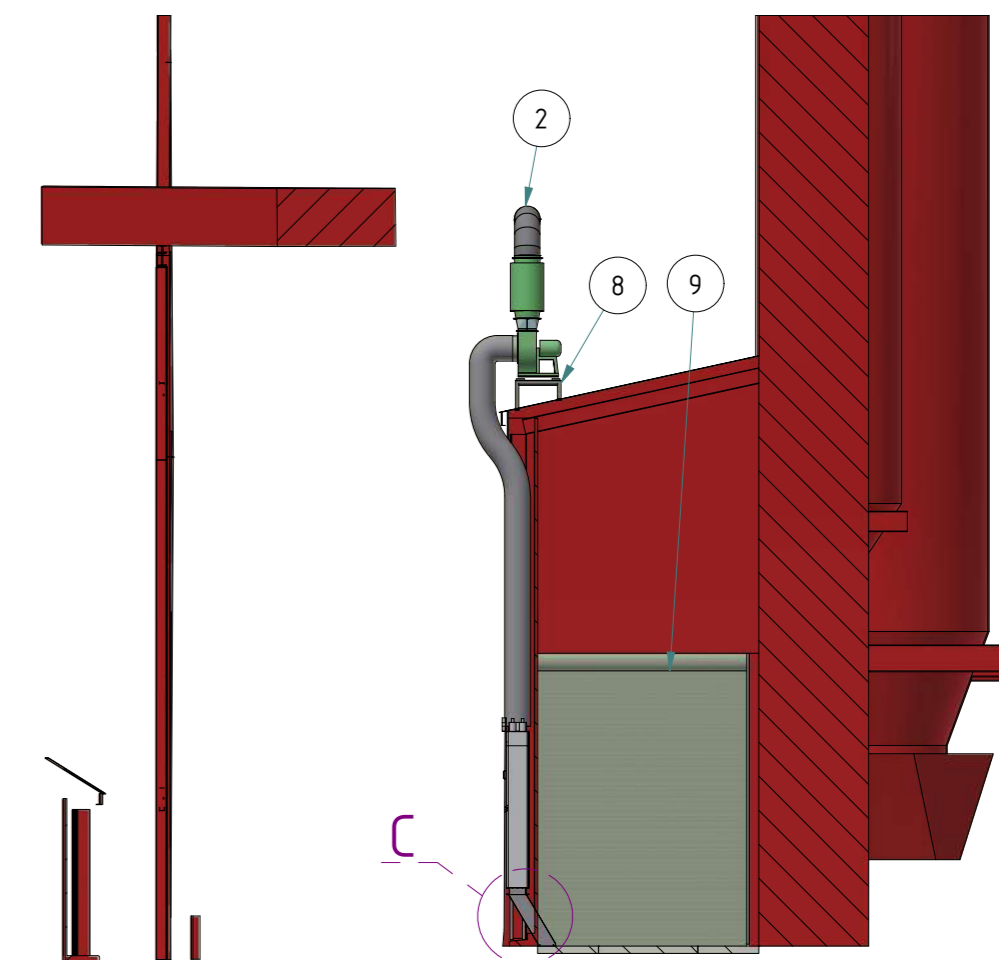
DETAIL C
1 : 10



SECTION A-A
1 : 150



SECTION B-B
1 : 150



<p>LGPM PROCESS INNOVATION Bulk Materials Handling & Processing Systems</p> <p>47-49 OVERSEAS DRIVE NOBLE PARK, VIC 3174 PHONE: +61 (03) 9702 4855 EMAIL: info@lgpm.com.au WEBSITE: www.lgpm.com.au</p> <p><small>THIS DRAWING, ALL INFORMATION & DESIGNS HEREON, ARE THE PROPERTY OF LGPM. THIS DRAWING IS CONFIDENTIAL & MUST NOT BE MADE PUBLIC OR COPIED WITHOUT PRIOR WRITTEN AUTHORISATION FROM LGPM AND IS SUBJECT TO RETURN ON DEMAND. NO USE OF THIS DRAWING, ANY INFORMATION OR DESIGNS HEREON IS PERMITTED EXCEPT WHEN SPECIFICALLY AUTHORISED IN WRITING BY LGPM. ACCEPTANCE & POSSESSION OF THIS DRAWING CONSTITUTES AGREEMENT OF THE ABOVE CONDITIONS.</small></p>	MDL	JSF	20/12/2023	CLIENT & PROJECT LOCATION BAIADA HFM - HANDWOOD, NSW	
	DRN	rmandrillon	20/08/2024		
	CHK				INTAKE UPGRADE DUST COLLECTOR GENERAL LAYOUT
UNLESS OTHERWISE SPECIFIED, ALL DIMENSIONS ARE IN mm				SCALE 1 : 150	P&ID ITEM No. DRG No. Q53295-00001
THIRD ANGLE PROJECTION				REV. A	SHT 3 OF 3