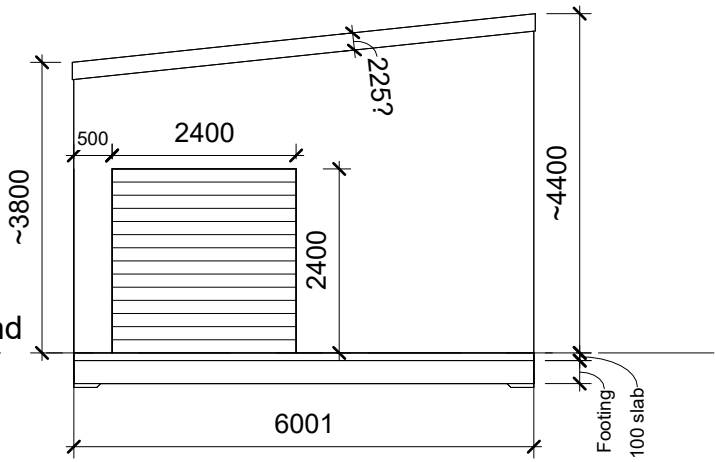




Ground

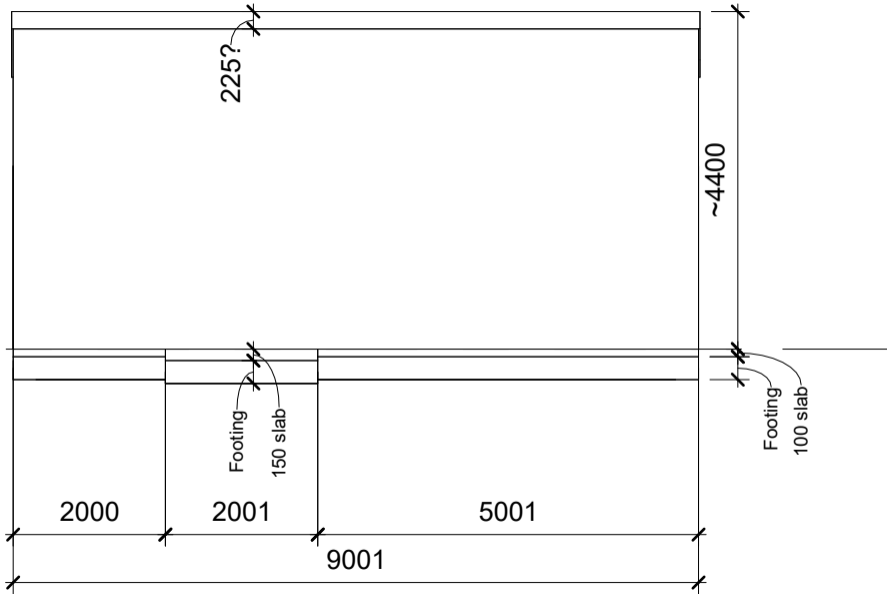
0





Ground

0





Ground

0

2400

Cladding above 2400

6deg roof

225?

Open bays (no cladding) up to 2400mm

2400

~3800

~4400

5001

2001

1999

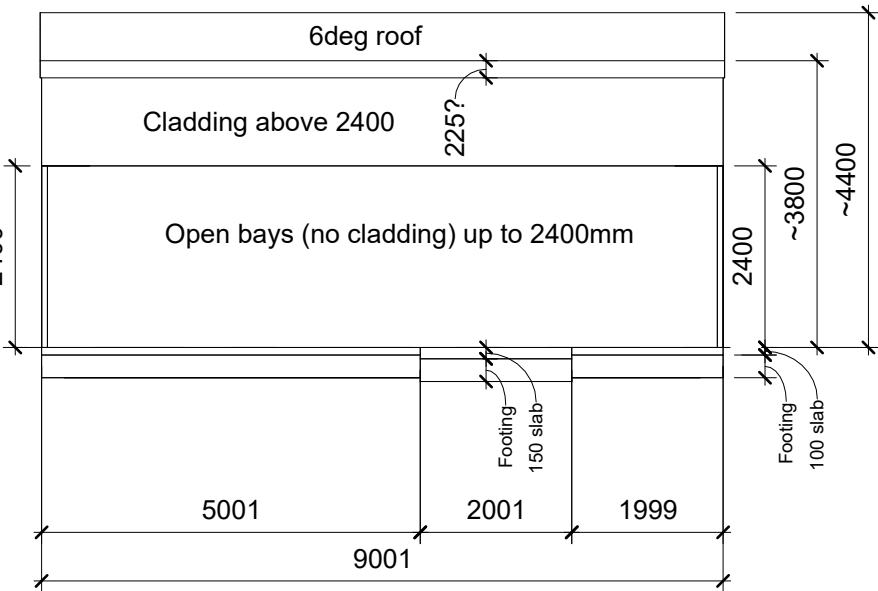
9001

Footing

150 slab

Footing

100 slab





Ground

0

