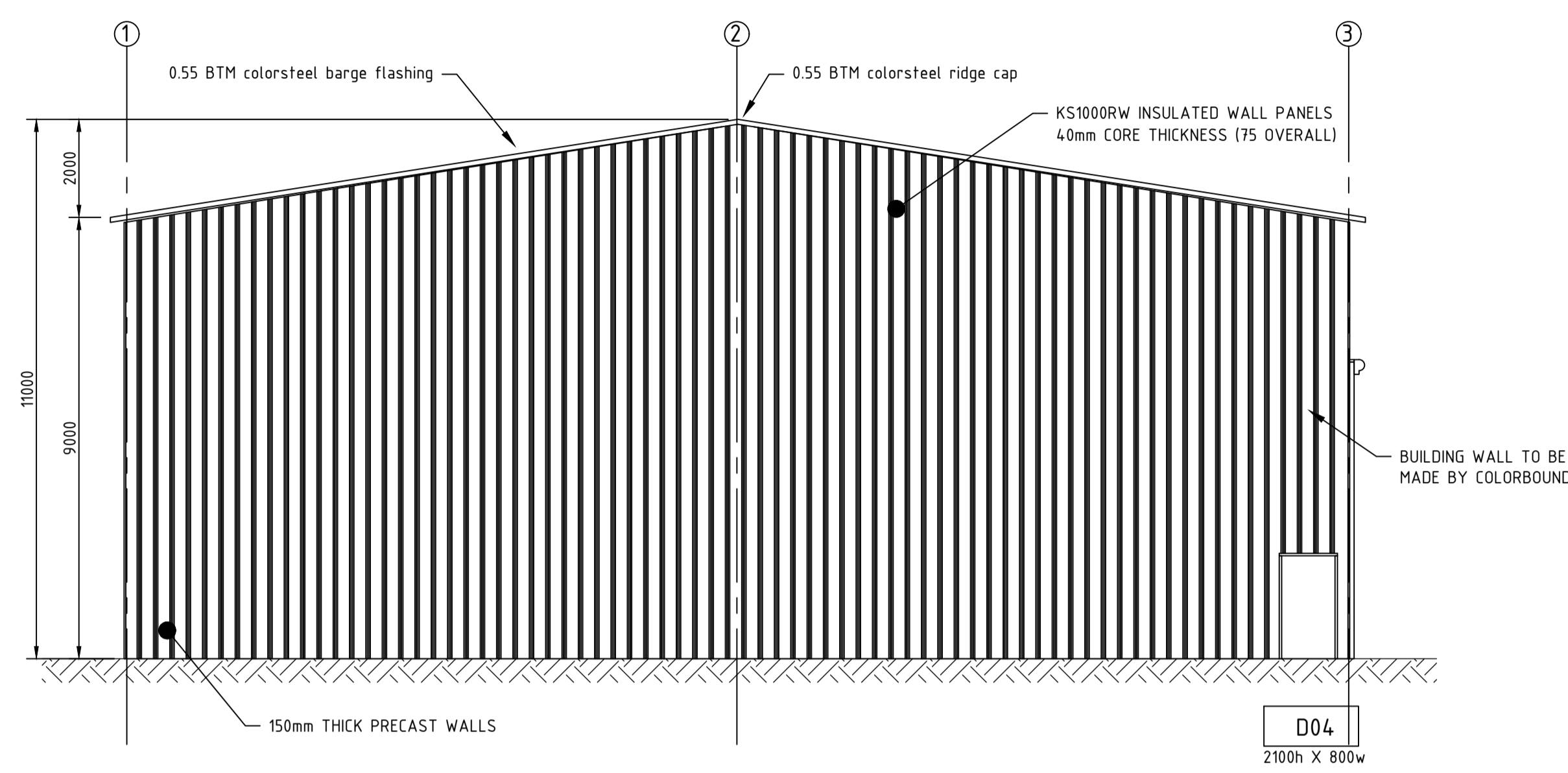
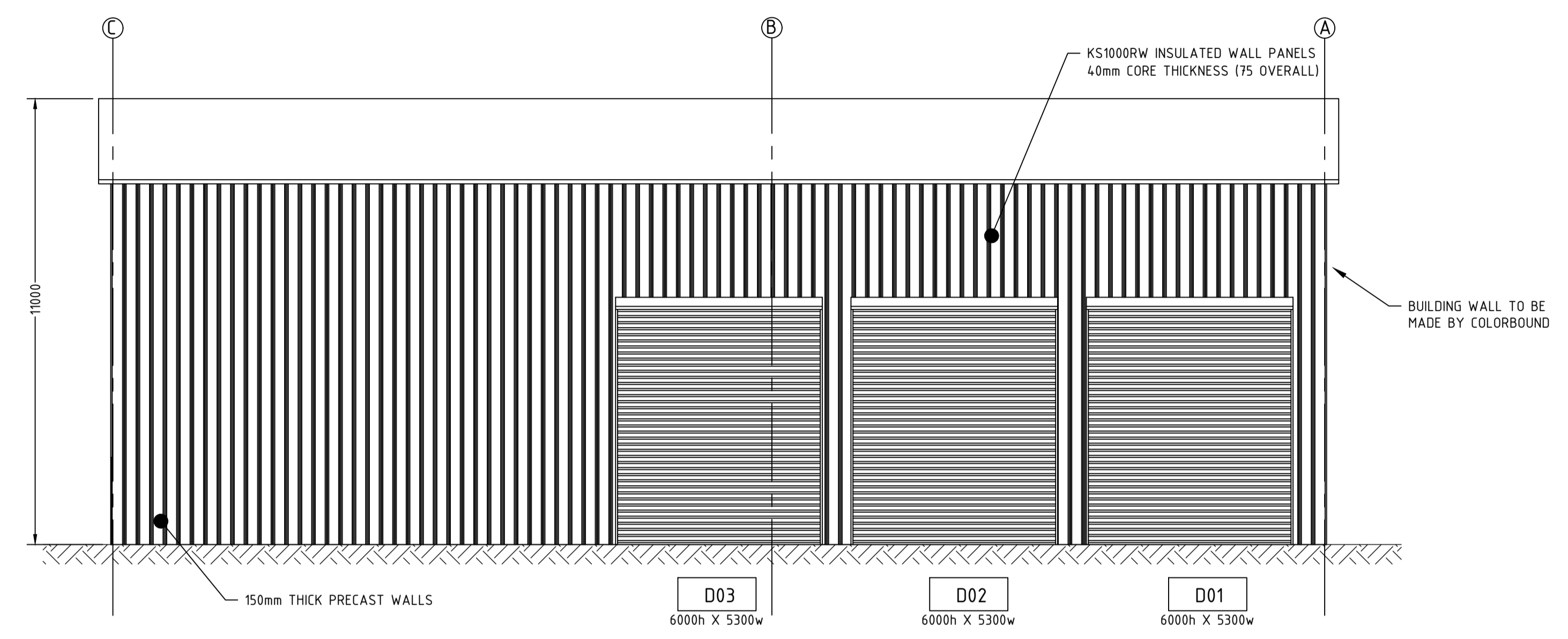


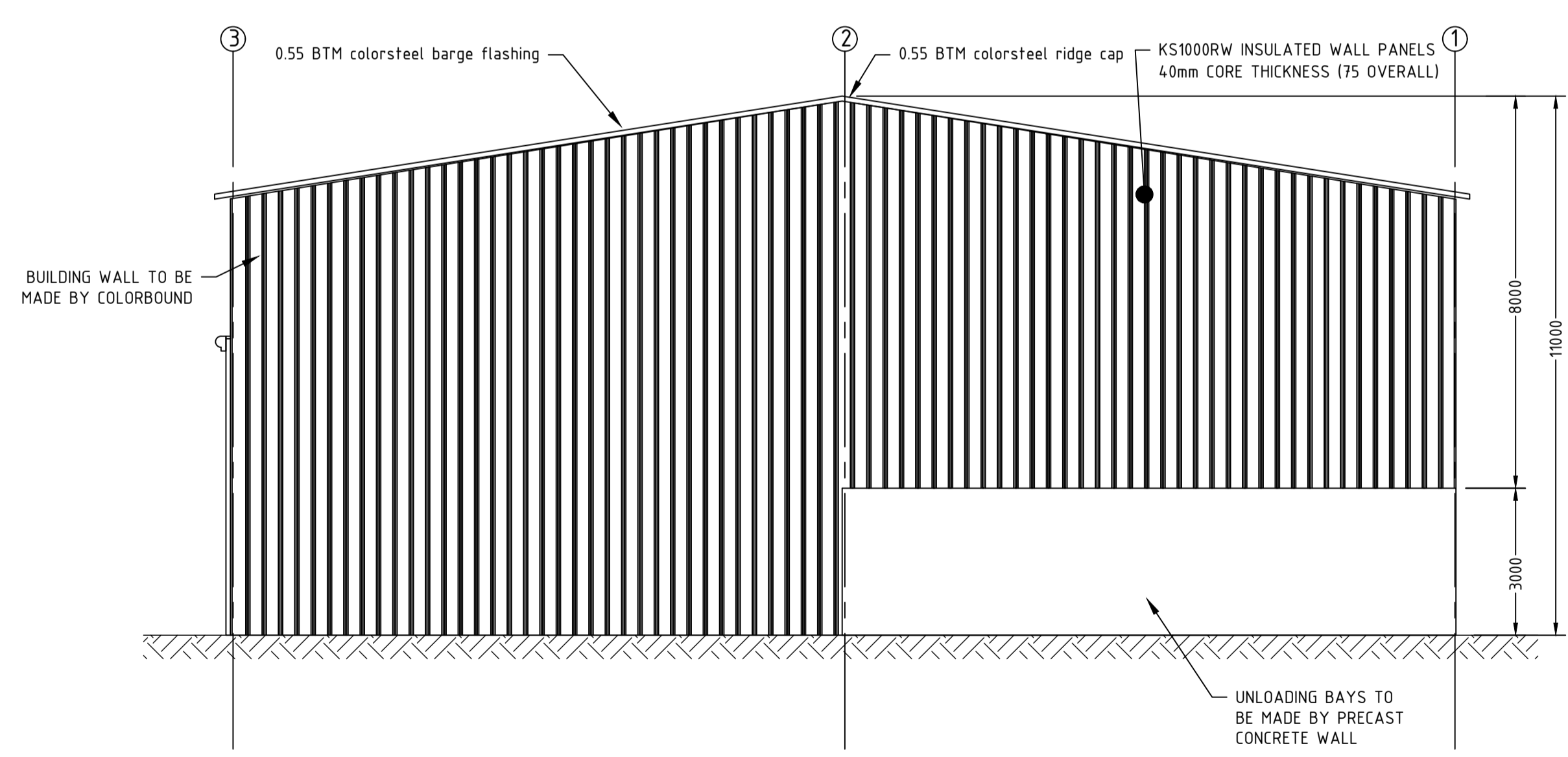
**NOTE:**  
 PRECAST CONCRETE WALL HEIGHT CAN BE CHANGED. MINIMUM HEIGHT 2.5m AND MAXIMUM HEIGHT 4.0m.



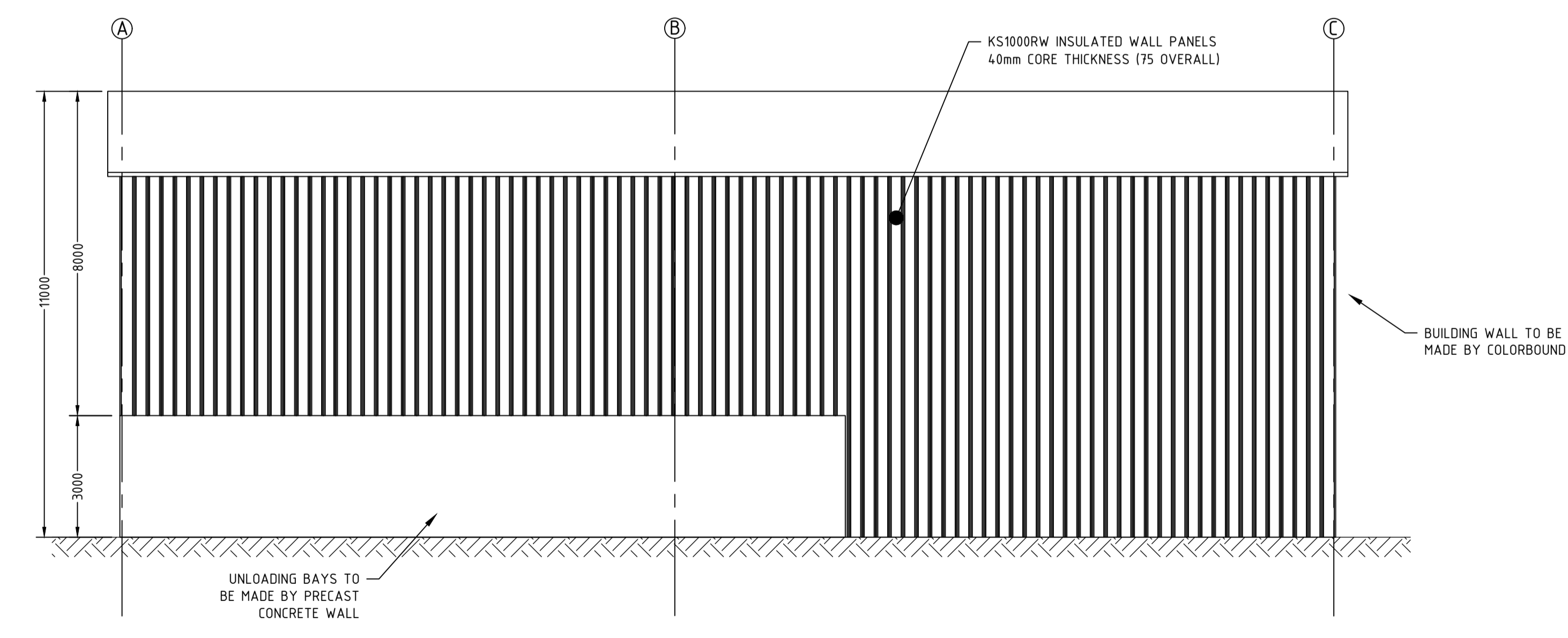
**A** NORTH ELEVATION  
 SCALE 1:100



**B** WEST ELEVATION  
 SCALE 1:100



**C** SOUTH ELEVATION  
 SCALE 1:100



**D** EAST ELEVATION  
 SCALE 1:100

**NOT FOR CONSTRUCTION INFORMATION ONLY**

DRAWING NUMBER	DESCRIPTION	REV	DATE	DESCRIPTION	BY	CHECK	BY	CHECK	BRPL	CLIENT
		A	15/06/21	ISSUED FOR APPROVAL	PP	MD				
REFERENCE DRAWINGS				REVISIONS						
					DRAFTING	ENGINEERING	APPROVED			

DO NOT SCALE  
 ALL DIMENSIONS mm (in)  
 DRAFTING STANDARD  
 AS/NZS 1100.101-1992

COPYRIGHT © 2020  
 THIS DRAWING AND THE CONTENTS DEPICTED OR WRITTEN THEREIN, WHETHER IN WHOLE OR IN PART, REMAIN THE EXCLUSIVE INTELLECTUAL PROPERTY OF BIOGASS RENEWABLES PTY. LTD. AND MAY NOT BE REPRODUCED IN ANY FORM WITHOUT THE EXPRESS WRITTEN APPROVAL OF BIOGASS RENEWABLES PTY. LTD.

**biogass**  
 Energy from Waste

BIOGASS RENEWABLES PTY. LTD.  
 1205 Hay Street, West Perth  
 Western Australia, 6005  
 +61 8 6147 7577  
 www.biogass.com.au

CLIENT  
 DELOREAN ENERGY VICTORIA ONE

TITLE  
 STANHOPE AD PLANT  
 AREA 002  
 SHED ELEVATIONS  
 DETAIL

SIZE A1 SCALE 1:100 DRAWING No J126-0002-A-DET-0002 SHEET 1 OF 1 REV A