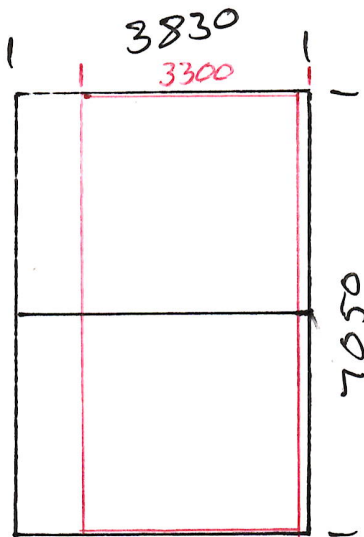
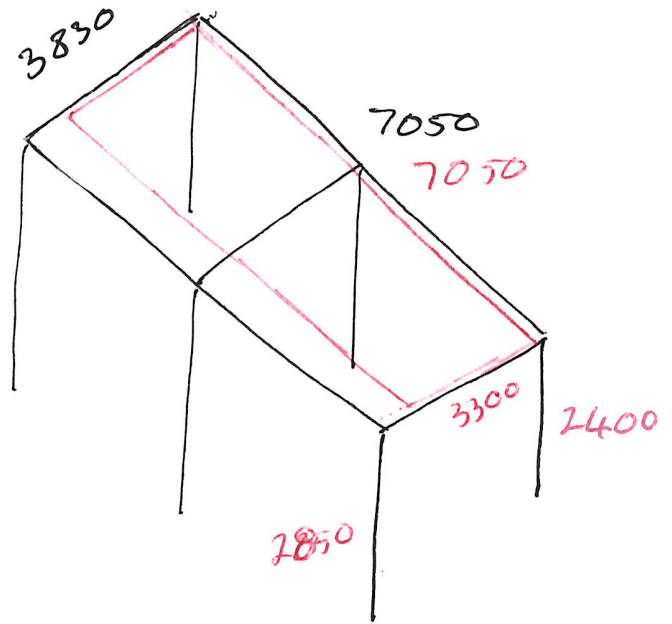
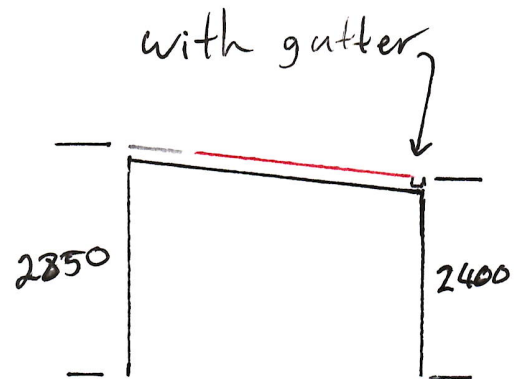


Black = Frame

Red = Roof.



3300
including gutter.



Car port to fit existing space between
Shed + garden bed.
to go onto concrete floor.