

# Absolute Dynamic Windows

82 Forge Creek Road  
 Bairnsdale VIC 3875 ABN 64 612 747 681  
 Tel: 03 5152 8500  
 Fax: 03 5152 6336



## QUOTATION

Customer Details: Quote Details:

### PRESTIGE RETAINING WALLS

**Quote No.:** 49403 V5  
**Quote Date:** 04/10/2024  
**Delivery Date:**  
**Job Number:**  
**Sales Person:** TONY GOULD

**Delivery Address:**

2130 YARRGON-LEONGATHA  
 HALLSTON

Tel: 0437 404 447 Fax:

**Contact:** TERRY BENNETT M: 0437 404 447

E: terry@prestige-group.com.au

**Quote Title:** 2130 YARRGON-LEONGATHA RD HALLSTON - BAL-29 TBC - DOUBLE GLAZED OPTION

**Comments:** SUPPLY ONLY QUOTE  
 CONTACT = TERRY 0437 404 447  
 COLOUR - TBC  
 KEY - 10

Item: 1 DELIVERY TO HALLTSON Qty: 1

Item: 2 SITE=DYNAMIC Qty: 1

Comments: SITE FIT SLIDING DOOR PANELS  
 SITE GLAZE SOME ITEMS  
 FRAMES TO BE INSTALLED BY OTHERS AND NOT DYNAMIC

ACCESS AND LIFTING EQUIPMENT TO FIRST FLOOR ITEMS TO BE SUPPLIED BY THE BUILDER

Item: 2.1 SITE Qty: 1

Item: 3 GLAZING Qty: 1

Comments: CLEAR DOUBLE GLAZED TO BE BAL-29 COMPLIANT  
 NO ENERGY REPORT PROVIDED

Item: 4 TRIMS Qty: 1

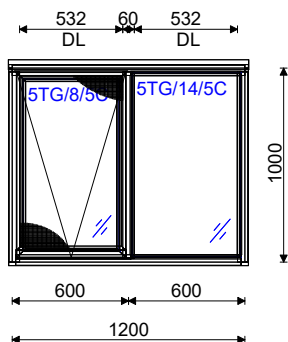
Comments: HEAD CAPPING AND EXTERNAL INFILLS TO ALL ITEMS TO SUIT COLOURBOND CLADDING

Item: 5 REVEAL SIZES TO BE CONFIRMED Qty: 1

Comments: 135MM PRIMED TO ALL ITEMS = 165MM TOTAL PROJECTION

Item: 6 SHED 1 GROUND FLOOR Qty: 1

Item: 7 KITCHEN, AF Qty: 1



**Comments:**

O/ALL REVEAL SIZE= 1040 X 1240  
 STUD OPENING = 1060 X 1250

**Frame Type:** Carinya Classic Awning Frame  
**Alum. Size:** 1000.00(H) x 1200.00(W) STD (50mm Frame)  
**Finish:** Standard Powder  
**Site Install:** NOT Included  
**Site Rating:** N3 (S=600, U=1400, W=150pa)  
**Glass/Fills:** 5mm Clear Tough / 14mm / 5mm Clear Float  
 5mm Clear Tough / 8mm / 5mm Clear Float  
 Aluminium Fly Mesh

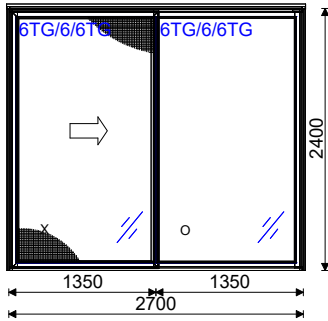
**Frame Options:**

**Outer Frame:**  
 Frame Type: (STD) 50mm Frame  
 Frame Run Thru: (HDTRMSLL2JMB) Head Run Thru, Transom & S  
 Sash Type: (STD) Standard Sash  
 Chain Winder: Doric Window ChainWinder Black  
 Sash Seal: (ALWAYS) CE14 Sash Seal  
 Sill Infill: (RAW20) Sill Infill  
 Midrail: False  
 Screen: (FLY\_ALUM) Aluminium Mesh  
 Screen Supply Type: (SUP) Supply Only  
 Trim: (RSW156) Head Flashing  
 Head Flashing Adj: 20 mm  
 Protection: (FC\_1SIDE) Face Cover 1 Side  
 Sill Flap: (SF) Sill Flap  
 Frame Weight: 31.9 kg  
 Reveal: 135 X 19 - PRMD

Stud Opening Size: 1060 mm(H) x 1250 mm(W)

Item: 7.1	External Infill	Qty: 2
Code: RSW154		Length: 1,000 mm
Color : Standard Powder		

Item: 8	LIVING, XO SD = SITE	Qty: 1
---------	----------------------	--------



**Frame Type:** Carinya Classic Sliding Door  
**Alum. Size:** 2400.00(H) x 2700.00(W) STD (Std Frame)  
**Finish:** Standard Powder  
**Site Install:** NOT Included  
**Site Rating:** N3 (S=600, U=1400, W=150pa)  
**Glass/Fills:** 6mm Clear Tough / 6mm / 6mm Clear Tough Aluminium Fly Mesh

**Frame Options:**

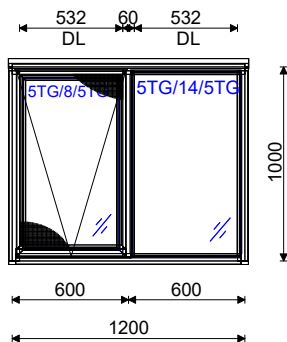
**Outer Frame:**  
 Config: (XO INT) XO Internal Slider  
 Interlocks: (STD\_MED HD) Standard / Medium HD  
 Sill: (STD\_BOX) Std Box Sill  
 Sill Cover: False  
 Lock: (EDGE-K/K) Edge Lock (Key Out & In)  
 Lock Cylinder: (A10) Cyl Key # A10  
 Lock Colour: (034) Black  
 Lock Height: 1050 mm  
 Roller: (AUTO) Anthony Innov. Stainless Steel Roller By Weight  
 Bump Stop: (APT60) Flat Threshold  
 Motif: (MOTIF) Glass Motif  
 Lock Stile: (STD) Std Stile  
 Screen: (FLY\_ALUM) Aluminium Mesh  
 Screen Frame: (SD9) Screen Frame  
 Screen Supply Type: (SUP) Supply Only  
 Screen Lock: Doric Sliding Barrier Door Handle Latch Black  
 Screen Lock Side: (LL) Lock Left  
 Screen Lock Height: 1265 mm  
 Screen Cylinder: No Component Required  
 Trim: (RSW156) Head Flashing  
 Head Flashing Adj: 20 mm  
 Protection: (FC\_1SIDE) Face Cover 1 Side  
 Frame Weight: 202.1 kg  
 Reveal: 135 X 19 - PRMD  
 Stud Opening Size: 2440 mm(H) x 2750 mm(W)

**Comments:**

O/ALL REVEAL SIZE= 2420 X 2740  
 STUD OPENING = 2430 X 2750  
 HAS ALUMINIUM MESH FLYDOOR TO SUIT  
 DYNAMIC TO SITE FIT BOTH PANELS

Item: 8.1	External Infill	Qty: 2
Code: RSW154		Length: 2,400 mm
Color : Standard Powder		

Item: 9	WASH RM, AF	Qty: 1
---------	-------------	--------



**Frame Type:** Carinya Classic Awning Frame  
**Alum. Size:** 1000.00(H) x 1200.00(W) STD (50mm Frame)  
**Finish:** Standard Powder  
**Site Install:** NOT Included  
**Site Rating:** N3 (S=600, U=1400, W=150pa)  
**Glass/Fills:** 5mm Clear Tough / 14mm / 5mm Clear Tough  
 5mm Clear Tough / 8mm / 5mm Clear Tough  
 Aluminium Fly Mesh

**Frame Options:**

**Outer Frame:**  
 Frame Type: (STD) 50mm Frame  
 Frame Run Thru: (HDTRMSLL2JMB) Head Run Thru, Transom & S  
 Sash Type: (STD) Standard Sash  
 Chain Winder: Doric Window ChainWinder Black  
 Sash Seal: (ALWAYS) CE14 Sash Seal  
 Sill Infill: (RAW20) Sill Infill  
 Midrail: False  
 Screen: (FLY\_ALUM) Aluminium Mesh  
 Screen Supply Type: (SUP) Supply Only  
 Trim: (RSW156) Head Flashing  
 Head Flashing Adj: 20 mm  
 Protection: (FC\_1SIDE) Face Cover 1 Side  
 Sill Flap: (SF) Sill Flap  
 Frame Weight: 31.9 kg  
 Reveal: 135 X 19 - PRMD  
 Stud Opening Size: 1060 mm(H) x 1250 mm(W)

**Comments:**

O/ALL REVEAL SIZE= 1040 X 1240  
 STUD OPENING = 1060 X 1250  
 CLEAR GLASS - TBC

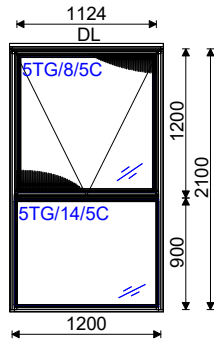
Item: 9.1	External Infill	Qty: 2
-----------	-----------------	--------

Code: RSW154  
Color : Standard Powder

Length: 1,000 mm

Item: 10 BED AND STORAGE, A/F

Qty: 2



**Comments:**

O/ALL REVEAL SIZE= 2140 X 1240  
STUD OPENING = 2160 X 1250

TRANSOM HEIGHT - TBC

**Frame Type:** Carinya Classic Awning Frame  
**Alum. Size:** 2100.00(H) x 1200.00(W) STD (50mm Frame)  
**Finish:** Standard Powder  
**Site Install:** NOT Included  
**Site Rating:** N3 (S=600, U=1400, W=150pa)  
**Glass/Fills:** 5mm Clear Tough / 14mm / 5mm Clear Float  
5mm Clear Tough / 8mm / 5mm Clear Float  
Aluminium Fly Mesh

**Frame Options:**

**Outer Frame:**

Frame Type: (STD) 50mm Frame  
Frame Run Thru: (HDTRMSLL2JMB) Head Run Thru, Transom & S  
Sash Type: (STD) Standard Sash  
Chain Winder: Doric Window ChainWinder Black  
Sash Seal: (ALWAYS) CE14 Sash Seal  
Sill Infill: (RAW20) Sill Infill  
Midrail: False  
Transom Height: 900 mm  
Screen: (FLY\_ALUM) Aluminium Mesh  
Screen Supply Type: (SUP) Supply Only  
Trim: (RSW156) Head Flashing  
Head Flashing Adj: 20 mm  
Protection: (FC\_1SIDE) Face Cover 1 Side  
Sill Flap: (SF) Sill Flap  
Frame Weight: 66.5 kg  
Reveal: 135 X 19 - PRMD  
Stud Opening Size: 2160 mm(H) x 1250 mm(W)

Item: 10.1 External Infill

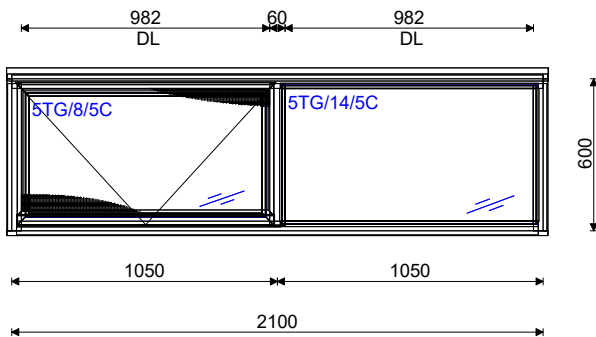
Qty: 4

Code: RSW154  
Color : Standard Powder

Length: 2,100 mm

Item: 11 GARAGE, AF

Qty: 1



**Comments:**

O/ALL REVEAL SIZE= 640 X 2140  
STUD OPENING = 660 X 2150

**Frame Type:** Carinya Classic Awning Frame  
**Alum. Size:** 600.00(H) x 2100.00(W) STD (50mm Frame)  
**Finish:** Standard Powder  
**Site Install:** NOT Included  
**Site Rating:** N3 (S=600, U=1400, W=150pa)  
**Glass/Fills:** 5mm Clear Tough / 14mm / 5mm Clear Float  
5mm Clear Tough / 8mm / 5mm Clear Float  
Aluminium Fly Mesh

**Frame Options:**

**Outer Frame:**

Frame Type: (STD) 50mm Frame  
Frame Run Thru: (HDTRMSLL2JMB) Head Run Thru, Transom & S  
Sash Type: (STD) Standard Sash  
Chain Winder: Doric Window ChainWinder Black  
Sash Seal: (ALWAYS) CE14 Sash Seal  
Sill Infill: (RAW20) Sill Infill  
Midrail: False  
Screen: (FLY\_ALUM) Aluminium Mesh  
Screen Supply Type: (SUP) Supply Only  
Trim: (RSW156) Head Flashing  
Head Flashing Adj: 20 mm  
Protection: (FC\_1SIDE) Face Cover 1 Side  
Sill Flap: (SF) Sill Flap  
Frame Weight: 34 kg  
Reveal: 135 X 19 - PRMD  
Stud Opening Size: 660 mm(H) x 2150 mm(W)

Item: 11.1 External Infill

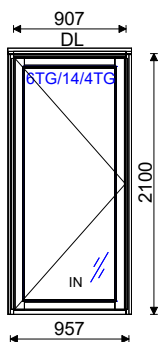
Qty: 2

Code: RSW154  
Color : Standard Powder

Length: 600 mm

Item: 12 STORAGE & LIVING, 1LEDL O/IN

Qty: 2



**Comments:**

O/ALL REVEAL SIZE= 2120 X 997  
 OPEN IN 2040X900 DOOR BY DYNAMIC  
 4PT LOCK  
 STD SILL

**Frame Type:** Carinya Select 125mm Hinged Door Frame  
**Alum. Size:** 2100.00(H) x 957.00(W)  
**Finish:** Standard Powder  
**Site Install:** NOT Included  
**Site Rating:** N3 (S=600, U=1400, W=150pa)  
**Glass/Fills:** 6mm Clear Tough / 14mm / 4mm Clear Tough

**Frame Options:**

**Outer Frame:**  
 Door Type: Hinged Open In  
 Door Clearance: Sill = 8mm + Threshold = 26mm  
 AF Frame Type: (AFL) Air-Flo  
 Trim: (RSW156) Head Flashing  
 Head Flashing Adj: 20 mm  
 Protection: (FC\_1SIDE) Face Cover 1 Side  
 Sill Flap: (SF) Sill Flap  
 Butt Edgework: (FLAT\_GRIND) Flat Grind  
 Frame Weight: 56.4 kg  
 Reveal: 135 X 19 - PRMD  
 Stud Opening Size: 2140 mm(H) x 1007 mm(W)

**Inner Frame:**

Hinged Left Panel  
 Door Opening: Hinged Open In  
 Lock: Killara Xtra 4 Pt Kit Inc Rods SC  
 Lock Height: 1050 mm  
 Hinge: No.3 Quick Fix Hinge 102 x 2.5mm SS  
 Flush Bolt: No Component Required  
 Closer: No Component Required  
 Closer Addition: No Component Required  
 Cylinder Out: Alspec Fixed Cam 62mm Euro Profile Cyl - Key#A10  
 Cylinder In:  
 Glazing: (WEDGE) Std Wedge  
 Motif: (MOTIF) Glass Motif Applied per AS1288

Item: 12.1 32\*20 Trim Angle - PAINT INTERNAL

Qty: 4

Comments: USE AS EXTERNAL INFILLS

Code: 1030548

Length: 2,100 mm

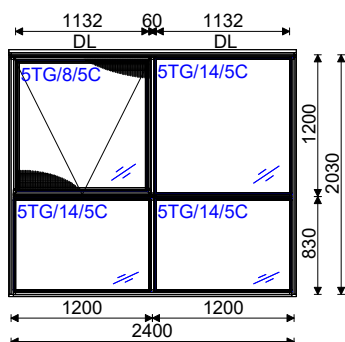
Color : Standard Powder

Item: 13 SHED 1 FIRST FLOOR

Qty: 1

Item: 14 BED1 BED2, AF/FF = SITE

Qty: 2



**Comments:**

HEIGHT IS 2030 TO ALLOW FOR SILL REVEAL AND SKIRTING  
 SILL NOT AT FL - TBC  
 O/ALL REVEAL SIZE= 2070 X 2440  
 STUD OPENING = 2090 X 2450

TRANSOM HEIGHT - TBC

DYNAMIC TO SITE GLAZE ALL FIXED LITES

**Frame Type:** Carinya Classic Awning Frame  
**Alum. Size:** 2030.00(H) x 2400.00(W) STD (50mm Frame)  
**Finish:** Standard Powder  
**Site Install:** NOT Included  
**Site Rating:** N3 (S=600, U=1400, W=150pa)  
**Glass/Fills:** 5mm Clear Tough / 14mm / 5mm Clear Float  
 5mm Clear Tough / 8mm / 5mm Clear Float  
 Aluminium Fly Mesh

**Frame Options:**

**Outer Frame:**  
 Frame Type: (STD) 50mm Frame  
 Frame Run Thru: (HDTRMSLL2JMB) Head Run Thru, Transom & S  
 Sash Type: (STD) Standard Sash  
 Chain Winder: Doric Window ChainWinder Black  
 Sash Seal: (ALWAYS) CE14 Sash Seal  
 Sill Infill: (RAW20) Sill Infill  
 Midrail: False  
 Transom Height: 830 mm  
 Screen: (FLY\_ALUM) Aluminium Mesh  
 Screen Supply Type: (SUP) Supply Only  
 Trim: (RSW156) Head Flashing  
 Head Flashing Adj: 20 mm  
 Protection: (FC\_1SIDE) Face Cover 1 Side  
 Sill Flap: (SF) Sill Flap  
 Frame Weight: 128.5 kg  
 Reveal: 135 X 19 - PRMD  
 Stud Opening Size: 2090 mm(H) x 2450 mm(W)

Item: 14.1 External Infill

Qty: 4

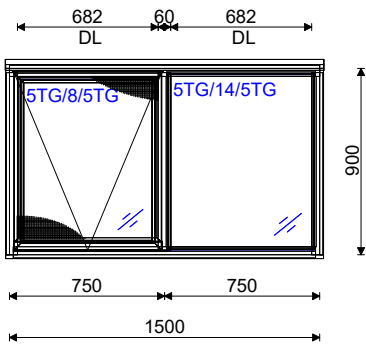
Code: RSW154

Length: 2,030 mm

Color : Standard Powder

Item: 15	SHED 2	Qty: 1
----------	--------	--------

Item: 16	AF	Qty: 4
----------	----	--------



**Frame Type:** Carinya Classic Awning Frame  
**Alum. Size:** 900.00(H) x 1500.00(W) STD (50mm Frame)  
**Finish:** Standard Powder  
**Site Install:** NOT Included  
**Site Rating:** N3 (S=600, U=1400, W=150pa)  
**Glass/Fills:** 5mm Clear Tough / 14mm / 5mm Clear Tough  
 5mm Clear Tough / 8mm / 5mm Clear Tough  
 Aluminium Fly Mesh

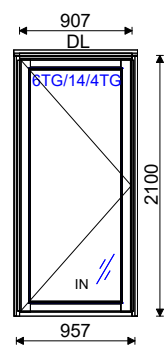
**Frame Options:**  
 Outer Frame:  
 Frame Type: (STD) 50mm Frame  
 Frame Run Thru: (HDTRMSLL2JMB) Head Run Thru, Transom & S  
 Sash Type: (STD) Standard Sash  
 Chain Winder: Doric Window ChainWinder Black  
 Sash Seal: (ALWAYS) CE14 Sash Seal  
 Sill Infill: (RAW20) Sill Infill  
 Midrail: False  
 Screen: (FLY\_ALUM) Aluminium Mesh  
 Screen Supply Type: (SUP) Supply Only  
 Trim: (RSW156) Head Flashing  
 Head Flashing Adj: 20 mm  
 Protection: (FC\_1SIDE) Face Cover 1 Side  
 Sill Flap: (SF) Sill Flap  
 Frame Weight: 35.9 kg  
 Reveal: 135 X 19 - PRMD  
 Stud Opening Size: 960 mm(H) x 1550 mm(W)

**Comments:**  
 O/ALL REVEAL SIZE= 940 X 1540  
 STUD OPENING = 960 X 1550  
 ALL PRICED AS AWNING/FIXED - TBC

Item: 16.1	External Infill	Qty: 8
------------	-----------------	--------

Code: RSW154 Length: 900 mm  
 Color : Standard Powder

Item: 17	OFFICE & PROCESSING RM, 1LEDL O/IN	Qty: 2
----------	------------------------------------	--------



**Frame Type:** Carinya Select 125mm Hinged Door Frame  
**Alum. Size:** 2100.00(H) x 957.00(W)  
**Finish:** Standard Powder  
**Site Install:** NOT Included  
**Site Rating:** N3 (S=600, U=1400, W=150pa)  
**Glass/Fills:** 6mm Clear Tough / 14mm / 4mm Clear Tough

**Frame Options:**  
 Outer Frame:  
 Door Type: Hinged Open In  
 Door Clearance: Sill = 8mm + Threshold = 26mm  
 AF Frame Type: (AFL) Air-Flo  
 Trim: (RSW156) Head Flashing  
 Head Flashing Adj: 20 mm  
 Protection: (FC\_1SIDE) Face Cover 1 Side  
 Sill Flap: (SF) Sill Flap  
 Butt Edgework: (FLAT\_GRIND) Flat Grind  
 Frame Weight: 56.4 kg  
 Reveal: 135 X 19 - PRMD  
 Stud Opening Size: 2140 mm(H) x 1007 mm(W)

**Comments:**  
 O/ALL REVEAL SIZE= 2120 X 997  
 OPEN IN 2040X900 DOOR BY DYNAMIC  
 4PT LOCK  
 STD SILL

**Inner Frame:**  
 Hinged Left Panel  
 Door Opening: Hinged Open In  
 Lock: Killara Xtra 4 Pt Kit Inc Rods SC  
 Lock Height: 1050 mm  
 Hinge: No.3 Quick Fix Hinge 102 x 2.5mm SS  
 Flush Bolt: No Component Required  
 Closer: No Component Required  
 Closer Addition: No Component Required  
 Cylinder Out: Alspec Fixed Cam 62mm Euro Profile Cyl - Key#A10  
 Cylinder In:  
 Glazing: (WEDGE) Std Wedge  
 Motif: (MOTIF) Glass Motif Applied per AS1288

Item: 17.1	32*20 Trim Angle - PAINT INTERNAL	Qty: 4
------------	-----------------------------------	--------

Comments: USE AS EXTERNAL INFILLS  
 Code: 1030548 Length: 2,100 mm  
 Color : Standard Powder

---

Total Items:	<b>57</b>
Total Area:	<b>38.4 m2</b>
Nett Total:	\$22,318.18
GST:	\$2,231.82
Total (Inc GST):	\$24,550.00

Quote Terms:

**QUOTE TERMS** - Quotes are valid for 30 Days

**SPECIAL NOTES**

All Product Handings and Diagrams are viewed from the outside

Please make sure you check all details carefully as your signature confirms you wish to go ahead with this project as it appears above and will be manufactured to these specifications. Responsibility for incorrect details will not be accepted by Absolute Dynamic Windows.

All Windows supplied need to be installed carefully - No liability will be accepted for "Out of square" installation or otherwise faulty installation.

If the supplied product is fitted with primed timber reveals, efforts must be made by the client to keep the reveals dry. No responsibility will be taken by Dynamic Windows for water damage to primed timber reveals.

DATE \_\_\_\_\_

SIGNED ACCEPTANCE \_\_\_\_\_

PRINT NAME \_\_\_\_\_

FRAME COLOUR SELECTED \_\_\_\_\_

**PAYMENT DETAILS**

Terms for non-account customers are CBD (50% Deposit on confirmation of order, Balance prior to delivery).

Note: Please ensure quote number is placed in reference field on the bank transfer

Banking details are below

ANZ Bank. BSB : 013 510, Acc. No. 460 634 661

Credit Card payments will attract a Surcharge.  
Please use your quote number as a reference when paying.