

# 70 AUTUMN CRES MOUNT ELIZA

## CONSTRUCTION DRAWINGS

MELWAYS: -

### SCHEDULE OF DOCUMENTATION

PAGE	DRAWING TITLE
CD 0.00	TITLE PAGE
CD 0.10	SITE SETOUT
CD 0.20	SHED PLAN & ELEVATIONS

### CONSULTANTS


**DESIGN & DOCUMENTATION:**  
CONCEPT DESIGN WORKS  
**Glow Design Group:**

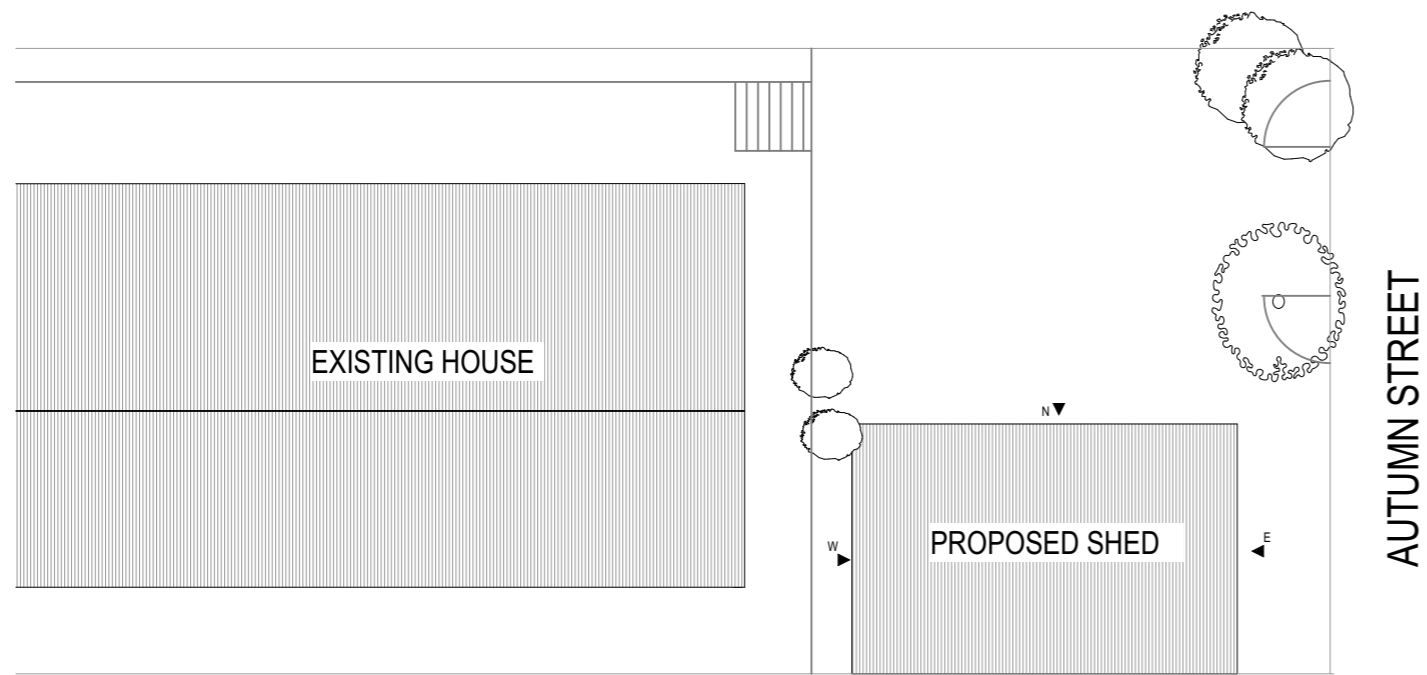
PH: 0438192155  
timothy@glowdesign.com.au

### OWNER

NAME:  
Kali & Billymo


DATE OF ISSUE: 19/09/2024  
THESE DRAWINGS SUPERSEDE  
ALL PREVIOUS DRAWINGS

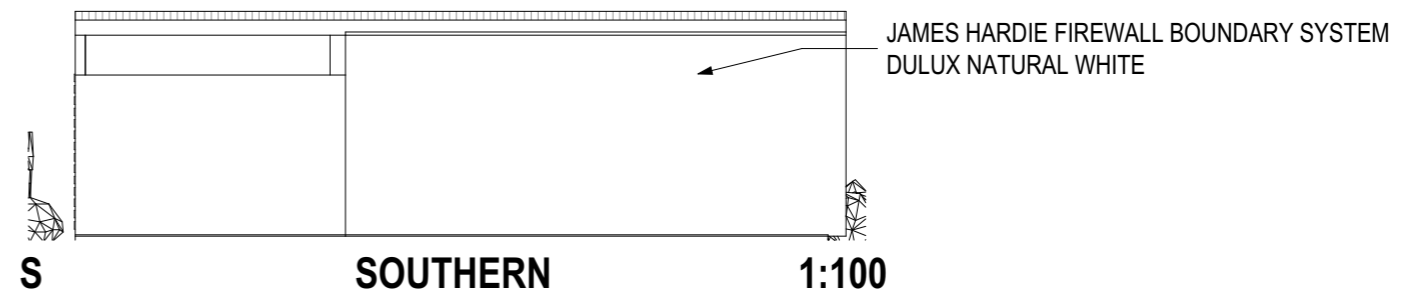
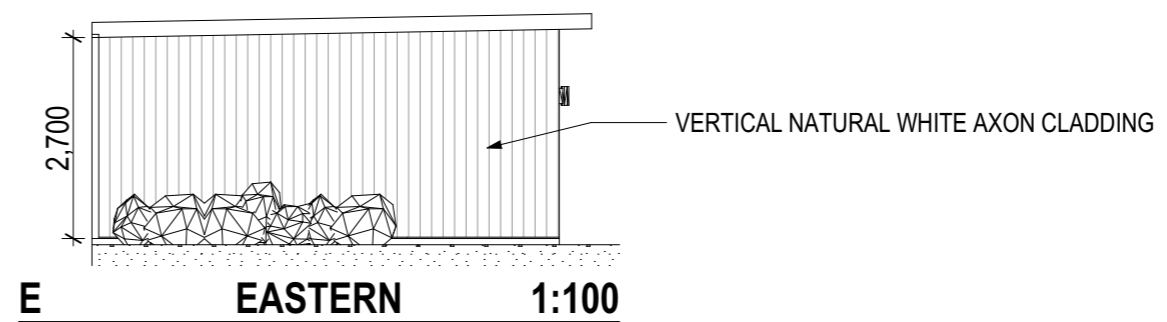
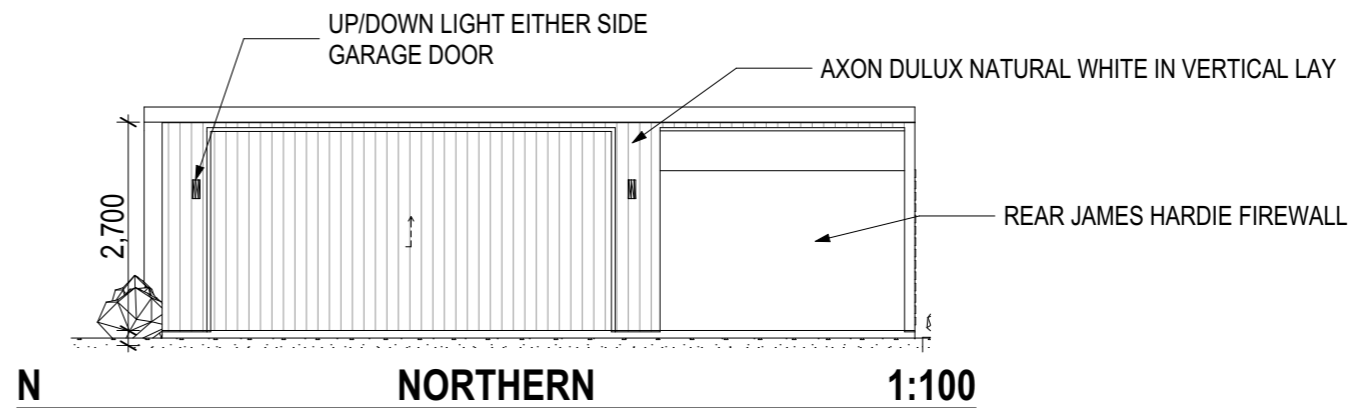
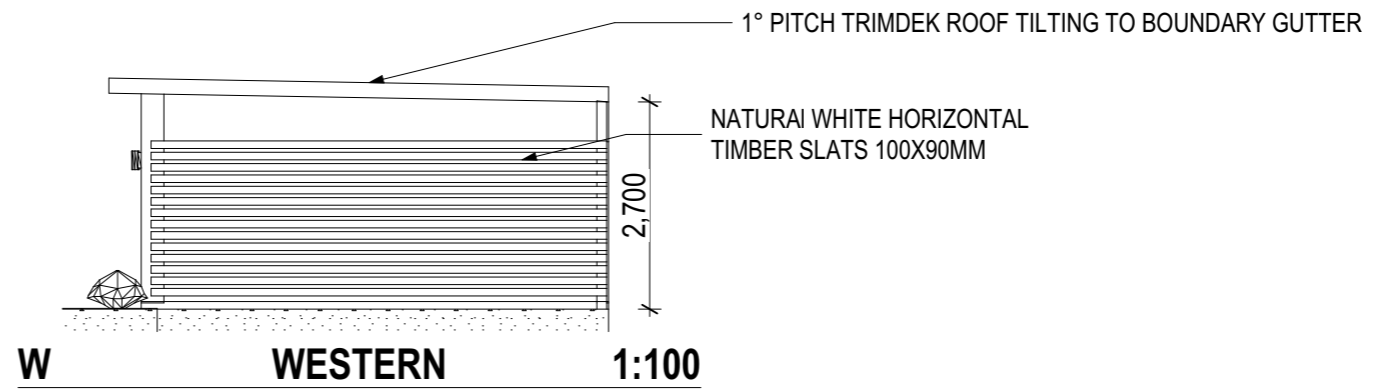
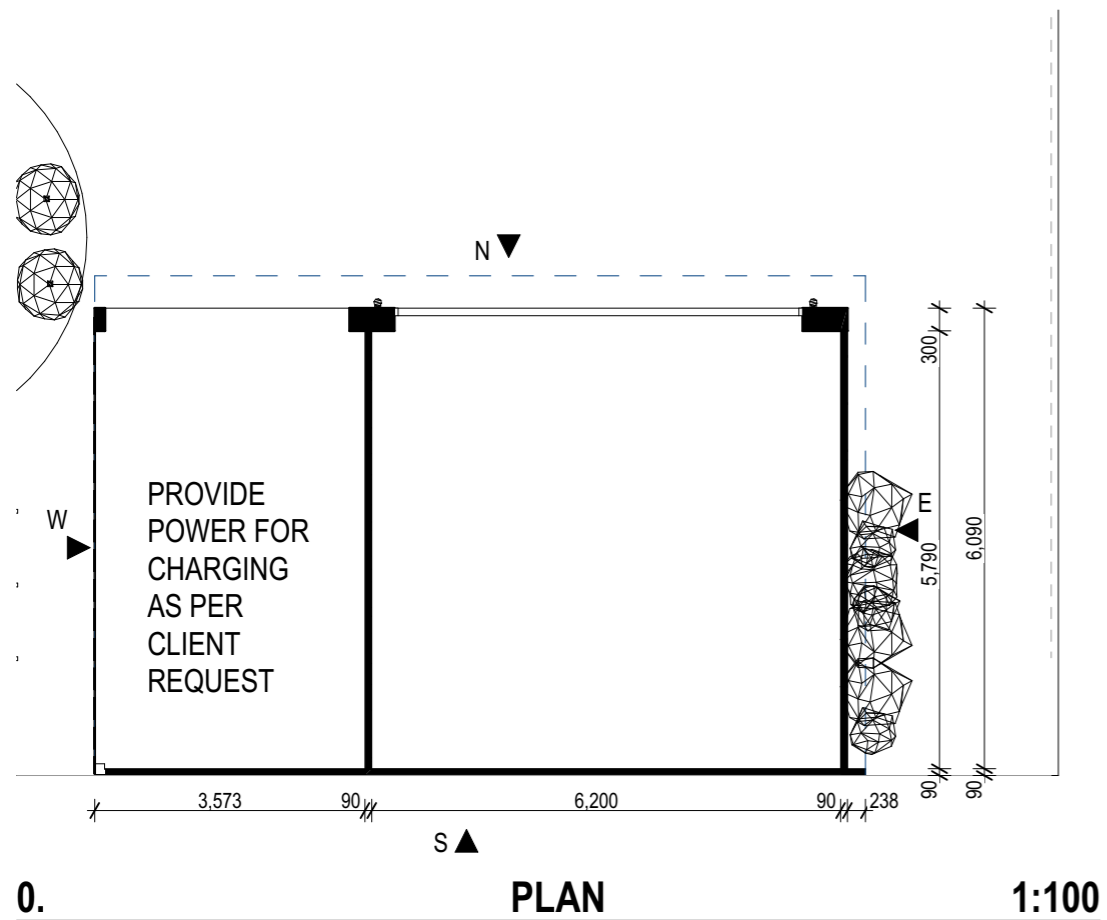
 www.glowbuildingdesign.com	JOB TITLE:	DRAWING NAME:	DRAWING STATUS:	DRAWN BY:		
	-		CONSTRUCTION DRAWINGS	TIMOTHY ELLIS DP-AD 38595 & NAME		
	JOB LOCATION:		DRAWING SCALE @ A3:	STATUS:	REVISION:	PAGE:
AUTUMN CRES MT ELIZA			CD	1	CD 0.00	




1. **SITE PLAN** **1:200**



 <p>www.glowbuildingdesign.com</p>	JOB TITLE:	DRAWING NAME:	DRAWING STATUS:	DRAWN BY:		
	-	SITE PLAN, IMAGE, IMAGE 1	CONSTRUCTION DRAWINGS	TIMOTHY ELLIS DP-AD 38595 & NAME		
	JOB LOCATION:		DRAWING SCALE @ A3:	STATUS:	REVISION:	PAGE:
	AUTUMN CRES MT ELIZA		1:200, 1:3.79, 1:4.69	CD	1	CD 0.10



 www.glowbuildingdesign.com	JOB TITLE:	DRAWING NAME:	DRAWING STATUS:	DRAWN BY:		
	-	PLAN, WESTERN, NORTHERN, EASTERN, SOUTHERN	CONSTRUCTION DRAWINGS	TIMOTHY ELLIS DP-AD 38595 & NAME		
	JOB LOCATION:		DRAWING SCALE @ A3:	DATE:		
	AUTUMN CRES MT ELIZA		1:100	19/09/2024	STATUS:	REVISION:
				CD	1	CD 0.20