

Components List

- Refer:** Drawing 6.5.3 FST & FSP for footing details
- S114-1 Reinforced Concrete footing x 2**
Refer to footing detail drawings as above
- S114-2 Footing Baseplate x 2**
Refer to footing detail drawings as above
- S114-3 Footings x 2**
Refer to footing detail drawings as above
- S114-4 Footing Bolt**
Refer to footing detail drawings as above
- S114-5 Bolt**
M12 High Strength Steel to specification
- S114-6 Steel Column x 2**
125 x 125 x 8 EA Steel x 2506
- S114-7 Beam x 1**
100 x 100 x 8 EA Steel x 2400
- S114-8 Beam to column connector plate x 2**
100 x 166 x 8 Steel plate
- S114-9 Roof Beam x 2**
100 x 100 x 8 EA Steel x 2318
- S114-10 Roof beam to column bracing plate x 2**
100 x 166 x 8 Steel plate
- S114-11 Roof Purlin x 4**
50 x 50 x 3 SHS Steel with end caps x 4325
- S114-12 Roof Sheet**
Refer to Materials, Finishes and Fixtures schedule. Fasteners applied to every second crest.
- S114-13 Display Board x 1**
1200 x 2390 panel refer to Materials, Finishes and Fixtures schedule
- S114-14 Display Board Framing**
65 x 65 x 5 EA Steel
- S114-15 Display Board Sheeting**
refer to Materials, Finishes and Fixtures schedule

A	EXPLODED ISOMETRIC
S114-A	Not to scale - For information purposes only

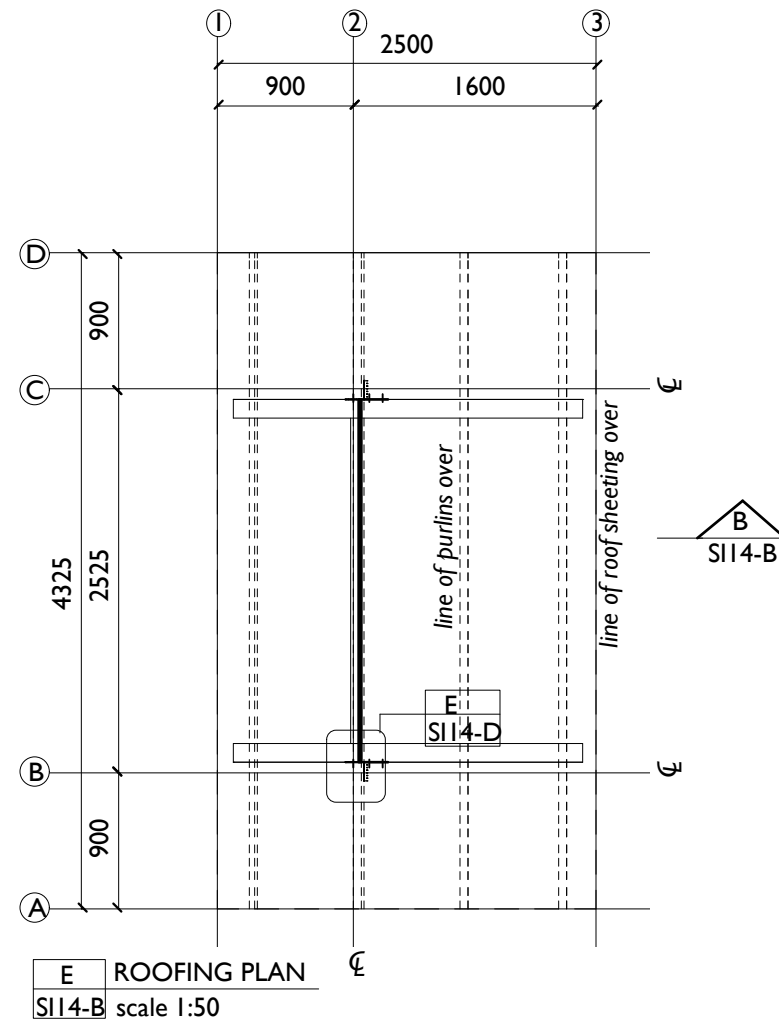
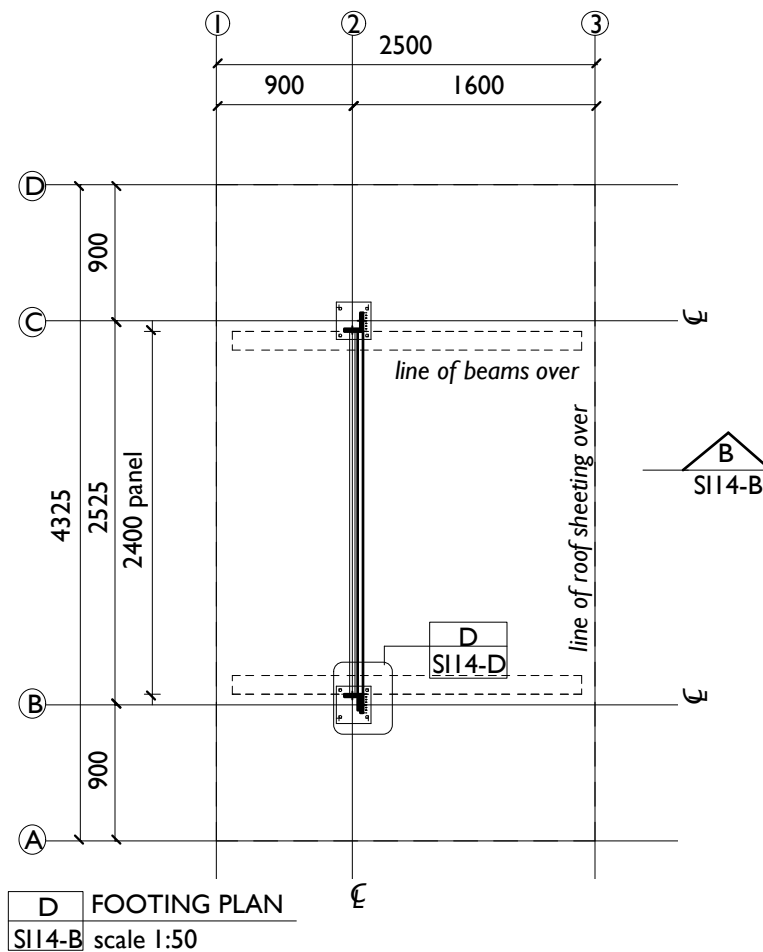
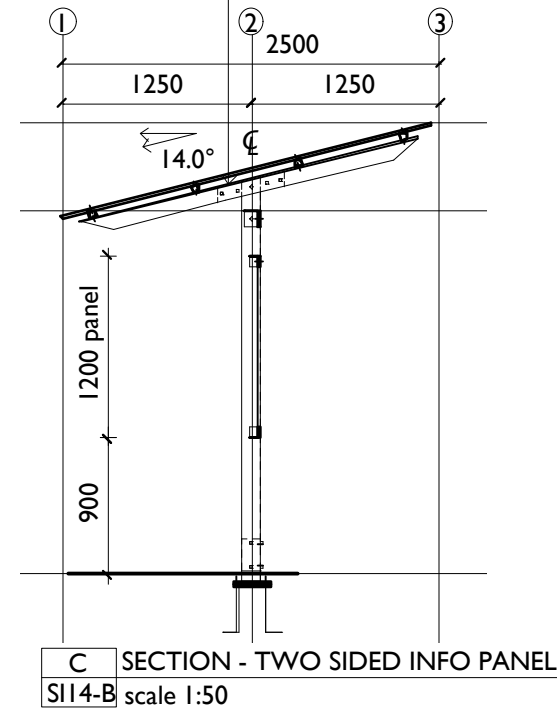
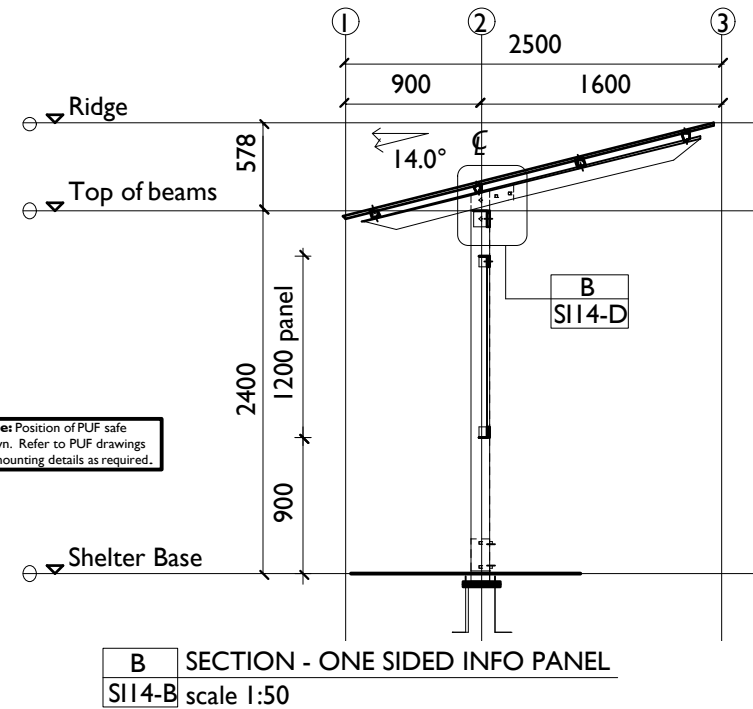
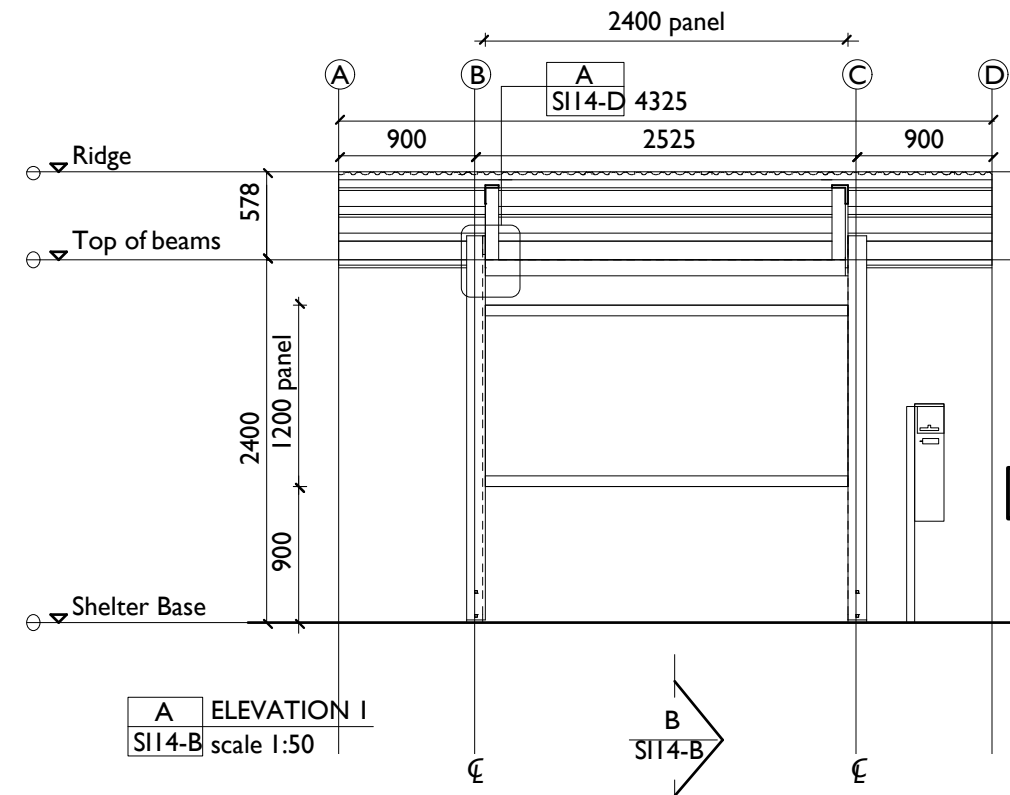


Components List

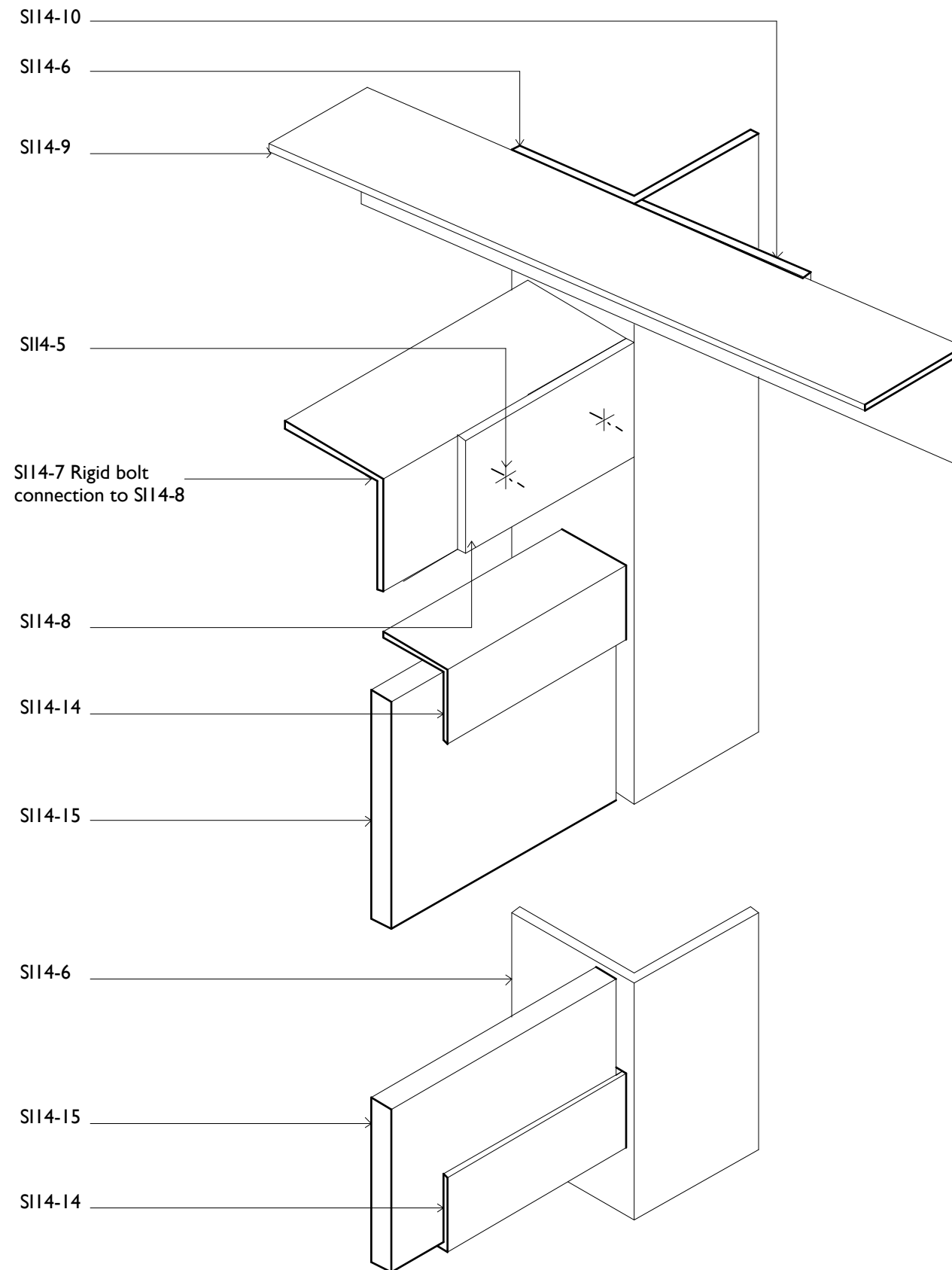
Refer: Drawing 6.5.3 FST & FSP for footing details

- SI14-1 Reinforced Concrete footing x 2**
Refer to footing detail drawings as above
- SI14-2 Footing Baseplate x 2**
Refer to footing detail drawings as above
- SI14-3 Footings x 2**
Refer to footing detail drawings as above
- SI14-4 Footing Bolt**
Refer to footing detail drawings as above
- SI14-5 Bolt**
M12 High Strength Steel to specification
- SI14-6 Steel Column x 2**
125 x 125 x 8 EA Steel x 2506
- SI14-7 Beam x 1**
100 x 100 x 8 EA Steel x 2400
- SI14-8 Beam to column connector plate x 2**
100 x 166 x 8 Steel plate
- SI14-9 Roof Beam x 2**
100 x 100 x 8 EA Steel x 2318
- SI14-10 Roof beam to column bracing plate x 2**
100 x 166 x 8 Steel plate
- SI14-11 Roof Purlin x 4**
50 x 50 x 3 SHS Steel with end caps x 4325
- SI14-12 Roof Sheeting**
Refer to Materials, Finishes and Fixtures schedule.
Fasteners applied to every second crest.
- SI14-13 Display Board x 1**
1200 x 2390 panel refer to Materials, Finishes and Fixtures schedule
- SI14-14 Display Board Framing**
65 x 65 x 5 EA Steel
- SI14-15 Display Board Sheeting**
refer to Materials, Finishes and Fixtures schedule

NOTE: 2 x additional SI7-10 Roof beam bracing plates required for two sided shelter



Note: original drawings to scale at A3 size Dimensions in mm unless otherwise noted Current engineering certification will be void if design modified – engineer certification required for any changes Maximum altitude: 1000m above AHD Maximum wind loading: class N4 to AS 4055-2012 Drawings to be read in conjunction with Specification



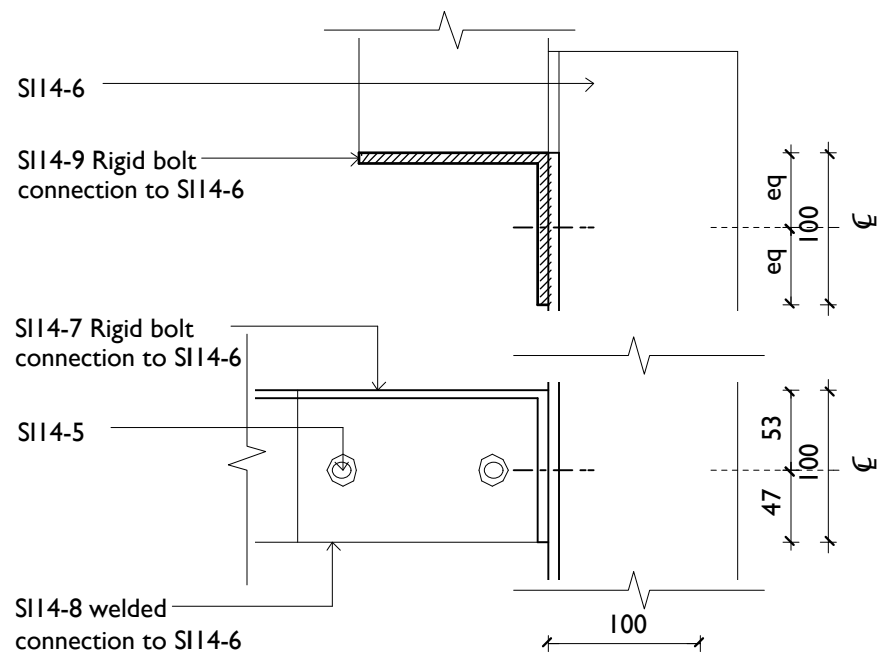
A ISOMETRIC CONNECTION AT BEAM
 SII4-C Not to scale - for illustrative purposes only



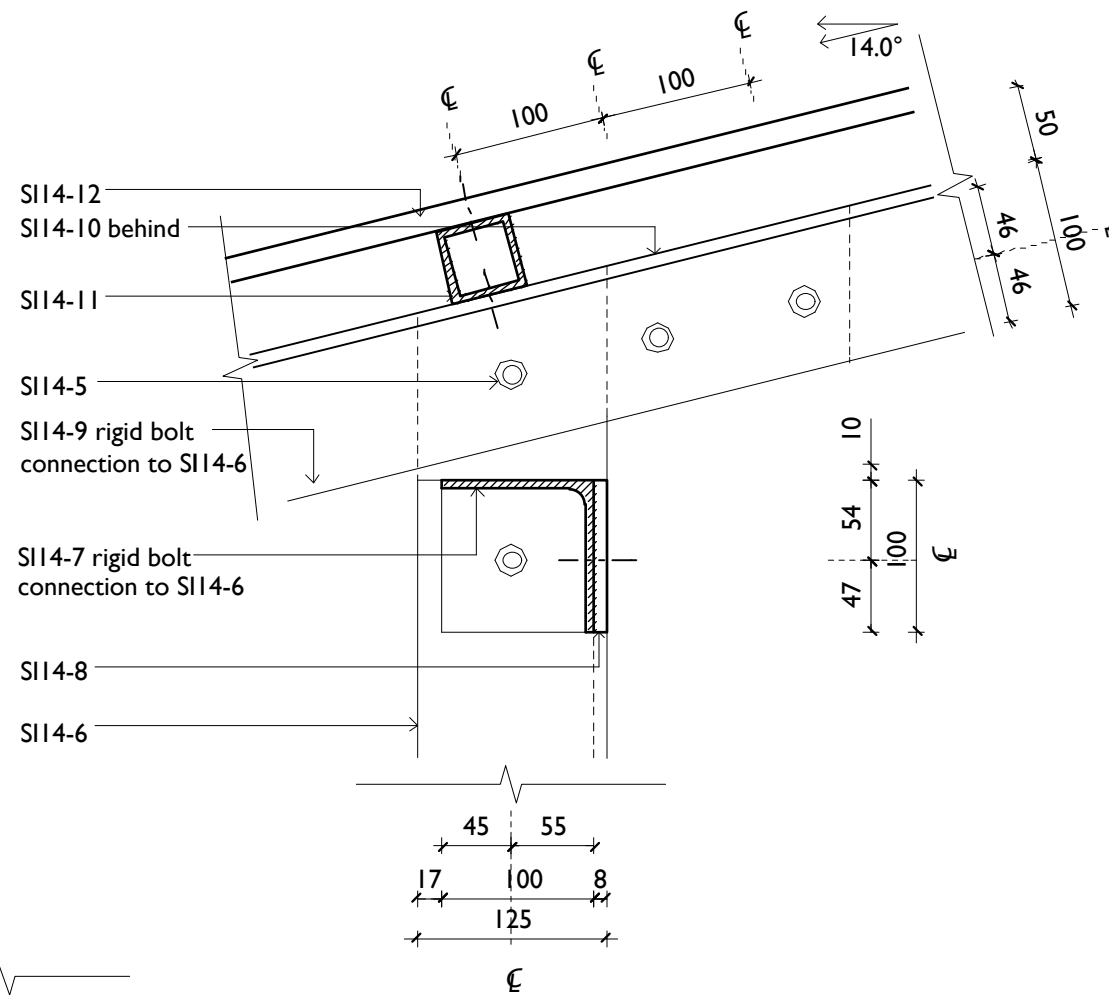
Components List

Refer: Drawing 6.5.3 FST & FSP for footing details

- SII4-1 Reinforced Concrete footing x 2**
Refer to footing detail drawings as above
- SII4-2 Footing Baseplate x 2**
Refer to footing detail drawings as above
- SII4-3 Footings x 2**
Refer to footing detail drawings as above
- SII4-4 Footing Bolt**
Refer to footing detail drawings as above
- SII4-5 Bolt**
M12 High Strength Steel to specification
- SII4-6 Steel Column x 2**
125 x 125 x 8 EA Steel x 2506
- SII4-7 Beam x 1**
100 x 100 x 8 EA Steel x 2400
- SII4-8 Beam to column connector plate x 2**
100 x 166 x 8 Steel plate
- SII4-9 Roof Beam x 2**
100 x 100 x 8 EA Steel x 2318
- SII4-10 Roof beam to column bracing plate x 2**
100 x 166 x 8 Steel plate
- SII4-11 Roof Purlin x 4**
50 x 50 x 3 SHS Steel with end caps x 4325
- SII4-12 Roof Sheeting**
Refer to Materials, Finishes and Fixtures schedule.
Fasteners applied to every second crest.
- SII4-13 Display Board x 1**
1200 x 2390 panel refer to Materials, Finishes and Fixtures schedule
- SII4-14 Display Board Framing**
65 x 65 x 5 EA Steel
- SII4-15 Display Board Sheeting**
refer to Materials, Finishes and Fixtures schedule



A SECTIONAL CONNECTION DETAIL AT BEAM
SI14-D scale 1:5



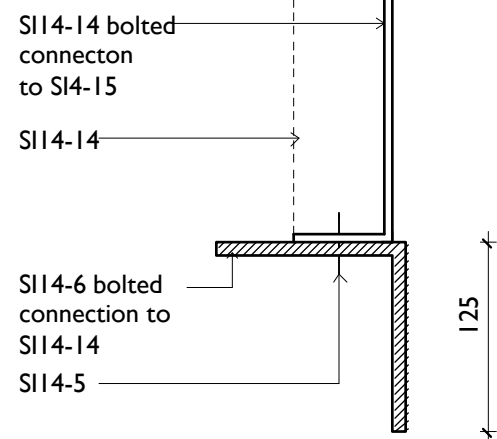
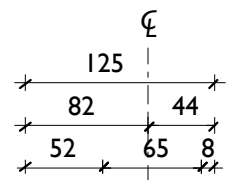
B SECTIONAL CONNECTION DETAIL AT BEAM
SI14-D scale 1:5



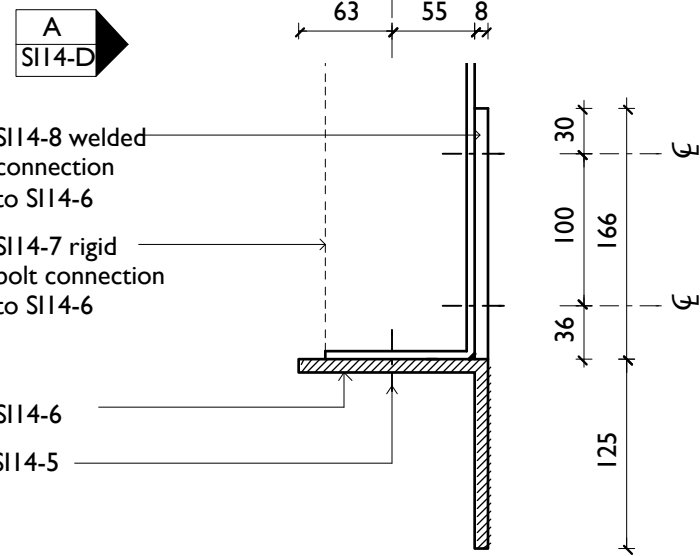
Components List

Refer: Drawing 6.5.3 FST & FSP for footing details

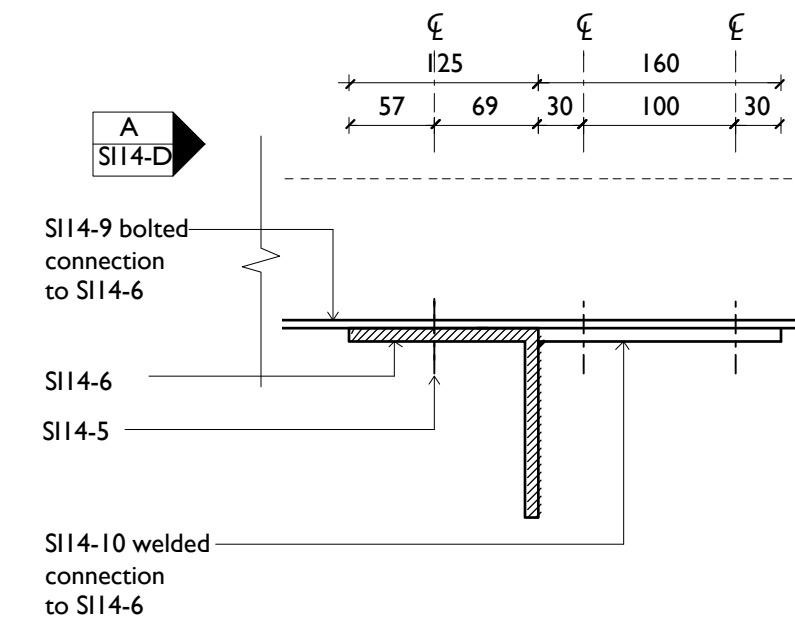
- SI14-1 Reinforced Concrete footing x 2**
Refer to footing detail drawings as above
- SI14-2 Footing Baseplate x 2**
Refer to footing detail drawings as above
- SI14-3 Footings x 2**
Refer to footing detail drawings as above
- SI14-4 Footing Bolt**
Refer to footing detail drawings as above
- SI14-5 Bolt**
M12 High Strength Steel to specification
- SI14-6 Steel Column x 2**
125 x 125 x 8 EA Steel x 2506
- SI14-7 Beam x 1**
100 x 100 x 8 EA Steel x 2400
- SI14-8 Beam to column connector plate x 2**
100 x 166 x 8 Steel plate
- SI14-9 Roof Beam x 2**
100 x 100 x 8 EA Steel x 2318
- SI14-10 Roof beam to column bracing plate x 2**
100 x 166 x 8 Steel plate
- SI14-11 Roof Purlin x 4**
50 x 50 x 3 SHS Steel with end caps x 4325
- SI14-12 Roof Sheeting**
Refer to Materials, Finishes and Fixtures schedule.
Fasteners applied to every second crest.
- SI14-13 Display Board x 1**
1200 x 2390 panel refer to Materials, Finishes and Fixtures schedule
- SI14-14 Display Board Framing**
65 x 65 x 5 EA Steel
- SI14-15 Display Board Sheeting**
refer to Materials, Finishes and Fixtures schedule



C PLAN CONNECTION DETAIL AT PANEL (typical)
SI14-D scale 1:5



D PLAN CONNECTION DETAIL AT BEAM
SI14-D scale 1:5



E PLAN CONNECTION DETAIL AT ROOF BEAM
SI14-D scale 1:5