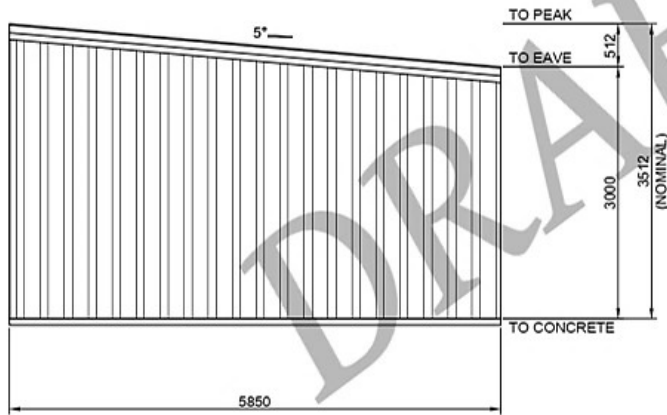


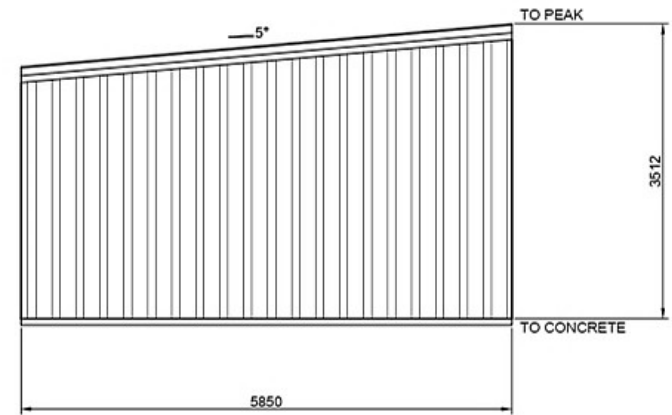
1
6 SIDEWALL EXTERIOR ELEVATION
SCALE: 1 = 100



2
6 SIDEWALL EXTERIOR ELEVATION
SCALE: 1 = 100



4
6 ENDWALL EXTERIOR ELEVATION
SCALE: 1 = 100



3
6 ENDWALL EXTERIOR ELEVATION
SCALE: 1 = 100