

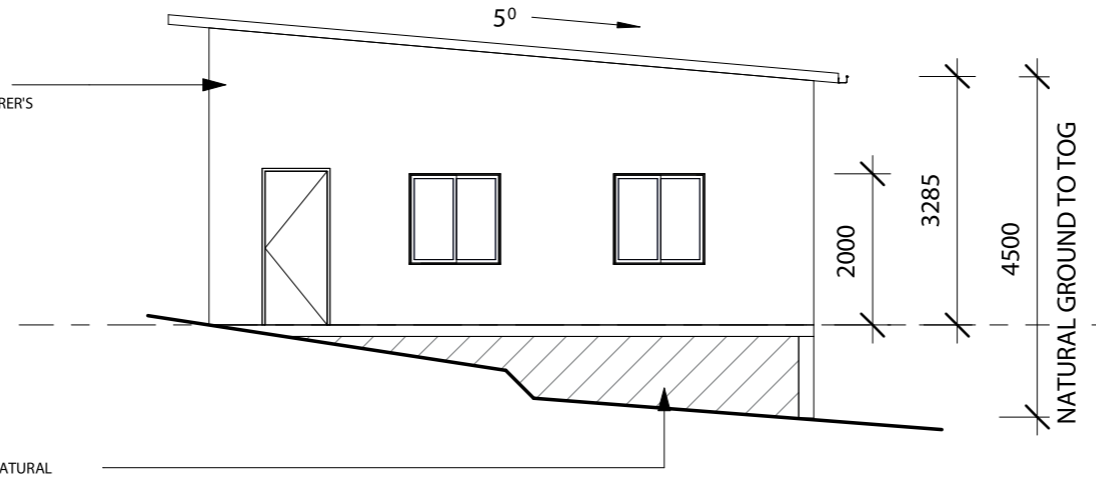


MB Certifications  
Reference: 200027  
60026/02/2020

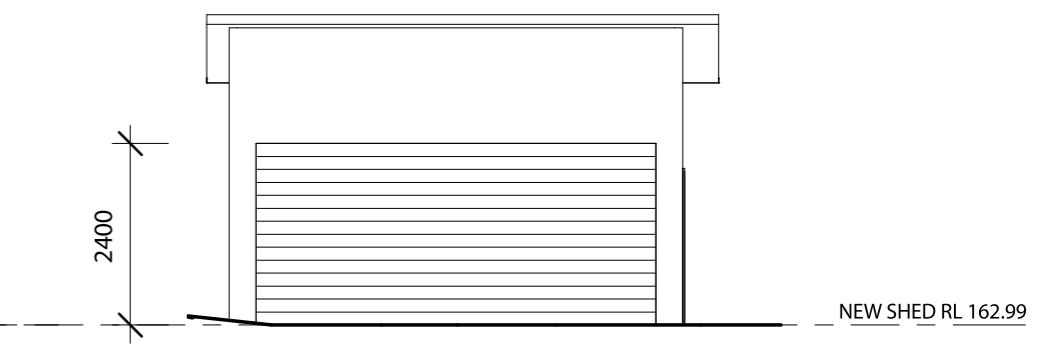
Mathew Bodley  
Director  
0037

NEW COLORBOND  
SHED TO MANUFACTURER'S  
SPECIFICATION

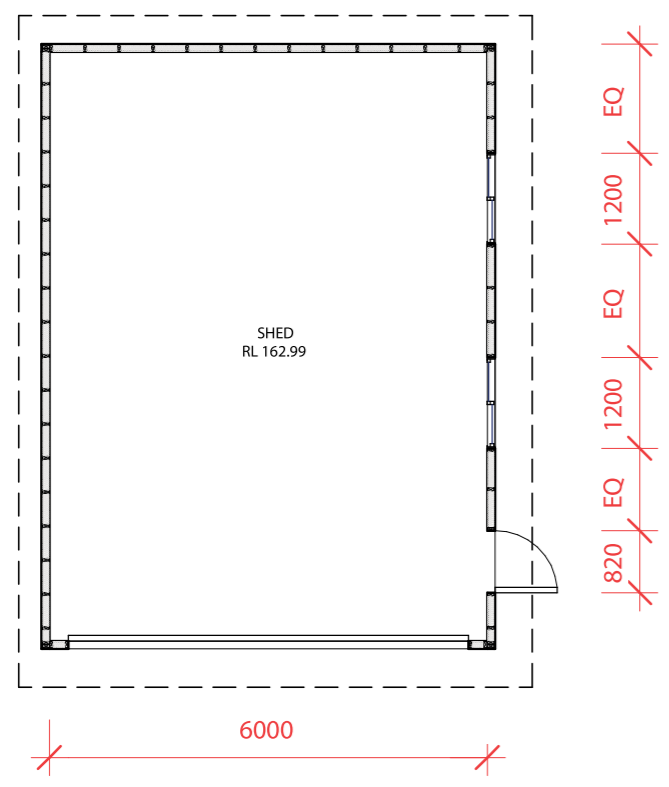
RETAINING WALL TO NATURAL  
GROUND LEVEL



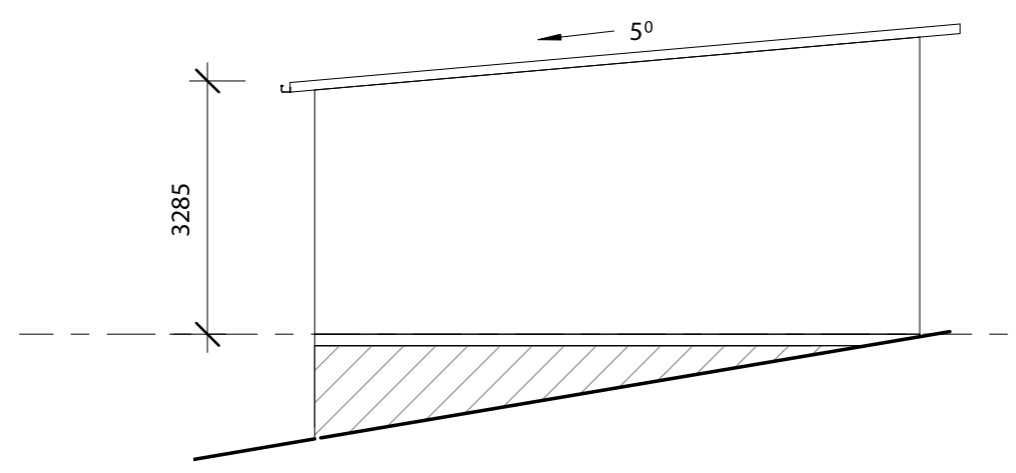
EAST ELEVATION



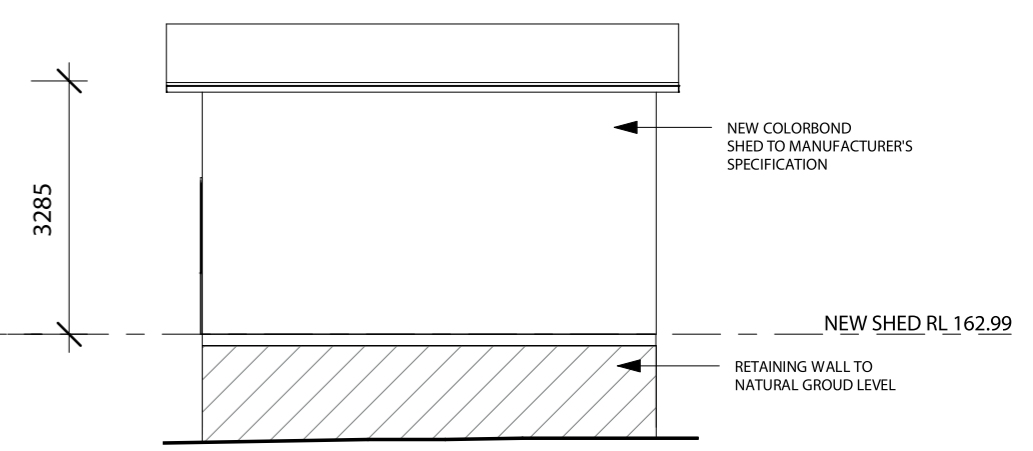
SOUTH ELEVATION



FLOOR PLAN



WEST ELEVATION



NORTH ELEVATION

**HORNSBY**  
SHIRE COUNCIL

This document is approved subject to the notes,  
advice and conditions listed in Development  
Consent No. DA/1170/2018  
Dated. 08/07/19

**GENERAL MANAGER**



N

abn. 11 894 018 540 reg no. 6128  
po box 30 berowra waters nsw 2082  
0402 420 004 humanspaces.com.au

Notes  
ALL BUILDING WORKS TO COMPLY TO  
AUSTRALIAN STANDARDS AND BUILDING  
CODE OF AUSTRALIA

DESIGN & DRWGS SUBJECT TO COPYRIGHT

A	DEVELOPMENT APPLICATION	10.12.2018
rev	amendment	date
title	Shed Floor Plan & Elevations	
project	37 PULBROOK PDE HORNSBY	
client	J VIETHEN & M SMITH	
scale	1:100 @A3	job no. 3717
drawn by	BD	dwg no. 09