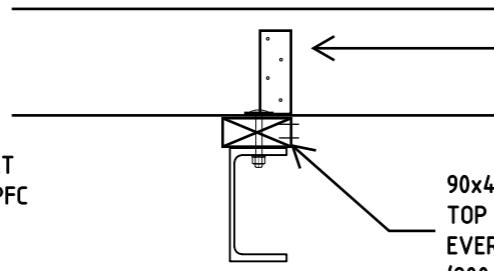


130x65x65x5mm BRACKET AT EACH JOIST FIXED TO 150 PFC WITH 1.M12 BOLT
 PROVIDE 2.M12 BOLTS FROM BRACKET TO JOIST

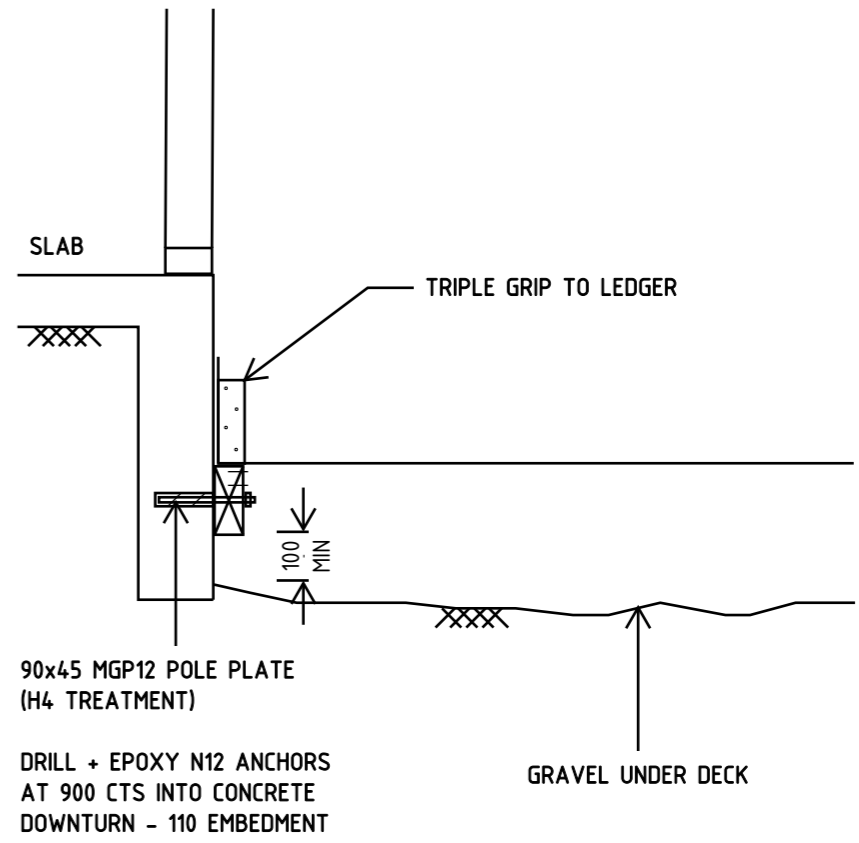
JOIST TO BEARER - OPTION 1



FIX JOIST TO POLE PLATE WITH TRIPLE GRIPS AND CLOUT NAILS

90x45 MGP12 POLE PLATE FIXED TO TOP OF 150PFC WITH 1.M12 BOLT AT EVERY SECOND JOIST LOCATION (900 CTS)

JOIST TO BEARER - OPTION 2

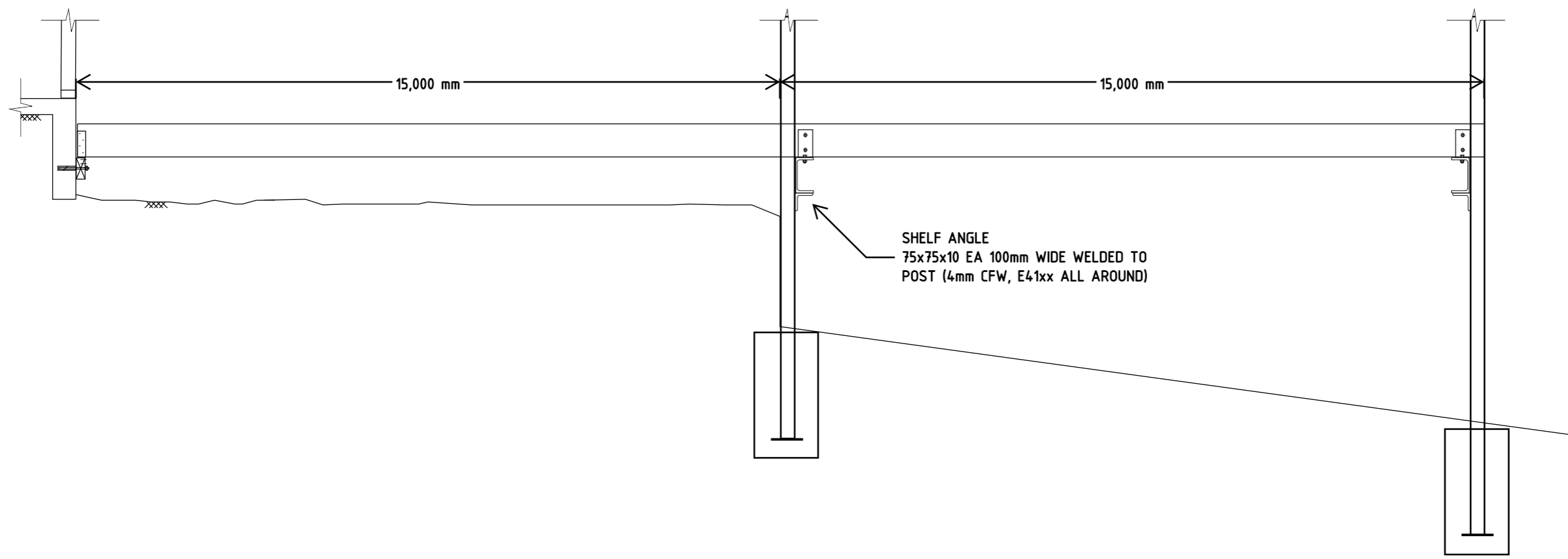


SLAB
 TRIPLE GRIP TO LEDGER

90x45 MGP12 POLE PLATE (H4 TREATMENT)

DRILL + EPOXY N12 ANCHORS AT 900 CTS INTO CONCRETE DOWNTURN - 110 EMBEDMENT

GRAVEL UNDER DECK



15,000 mm

15,000 mm

SHELF ANGLE 75x75x10 EA 100mm WIDE WELDED TO POST (4mm CFW, E41xx ALL AROUND)