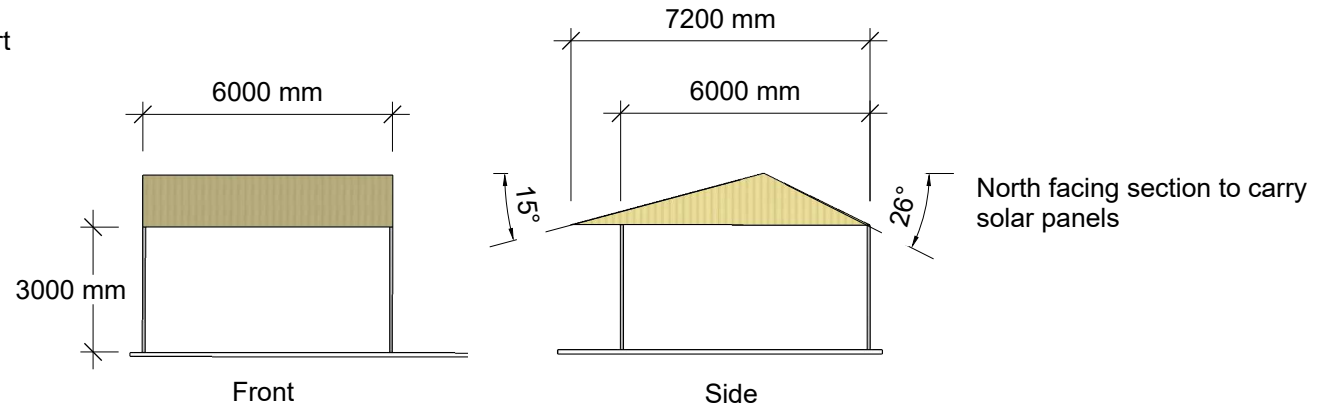


Please supply a quotation to supply and deliver in kit form a double carport as the shown drawings

Peter and Jenese Bramwell  
Ph: - 0447 372 290



Roof in Colorbond trimdek (or similar) Classic Cream Trim and guttering to match

Please supply Engineering Certificate for council approval to wind rating W40 Showing foundation design for soil classification 'M'

Post to be 75x75x3? SHS to match existing posts

PROJECT 10 Meek St. Alterations Stage 2  
for P & J Bramwell

### Carport

Drawn by Peter Bramwell +61(o)447 372 290  
C:/Users/pbram/OneDrive/Documents/Meek St/10 Meek 10 Carport.layout

#### REVISIONS

	MM/DD/YY	REMARKS
1	05/09/2023	Initial Setup
2	--/--/--	...
3	--/--/--	...
4	--/--/--	...
5	--/--/--	...

A 10

A