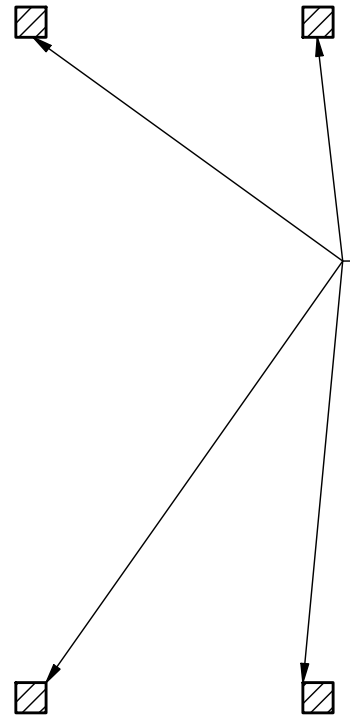
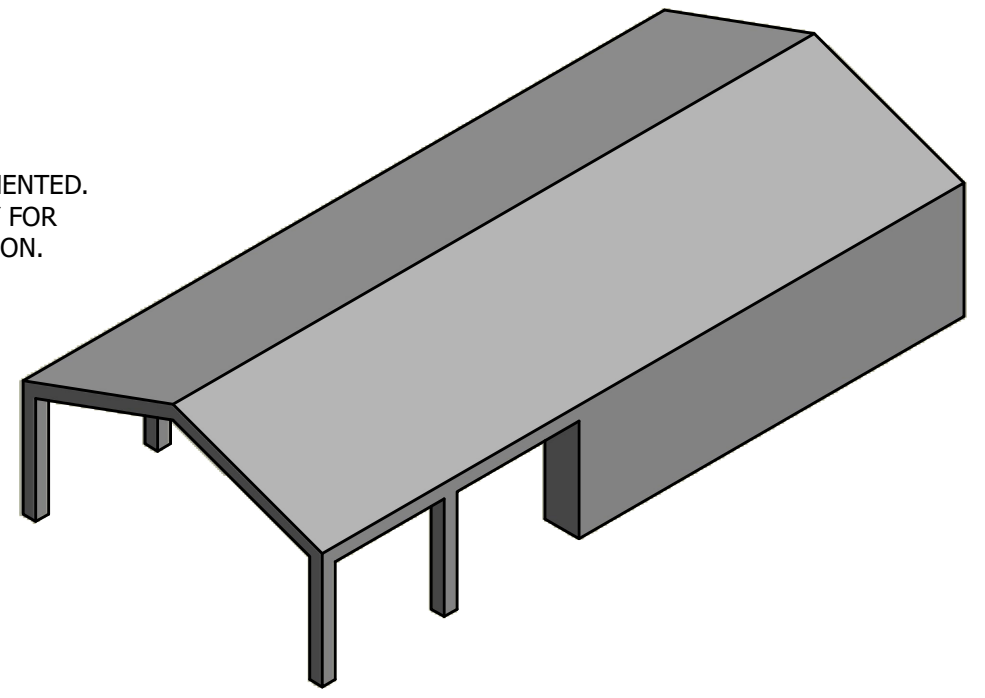


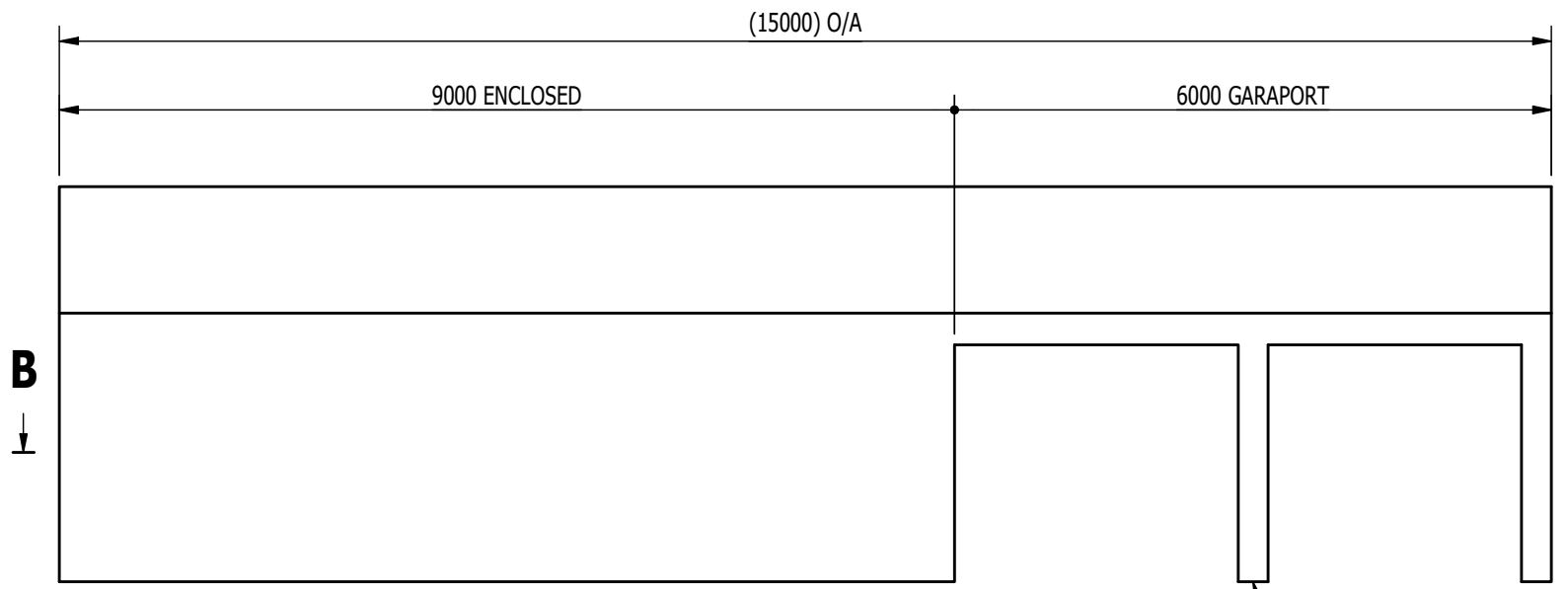
SECTION B-B



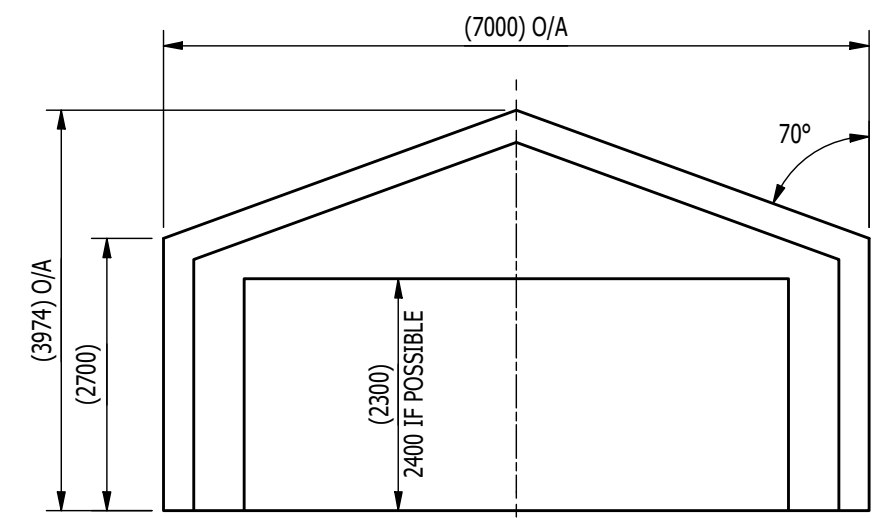
POSTS ONLY CEMENTED.
SLAB POOR ONLY FOR
EXCLOSED PORTION.



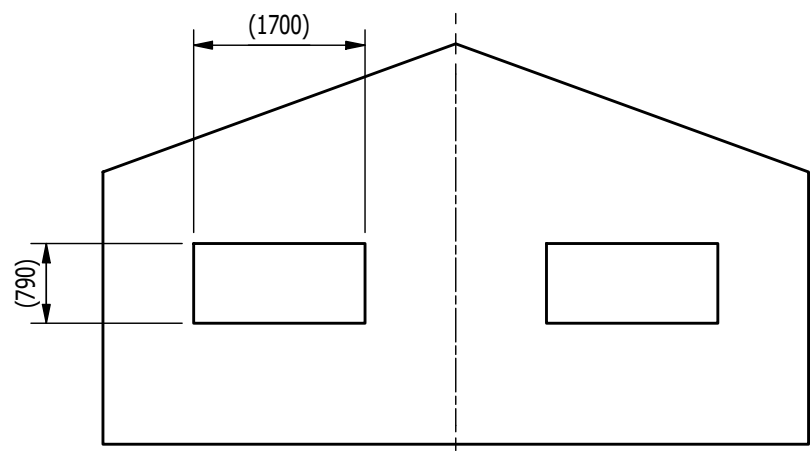
ISOMETRIC VIEW



SIDE VIEW



FRONT VIEW



REAR VIEW

⊕ - PREFERABLE NO MID POST
(DEPENDING ON ADDITIONAL COST)

⊕ - INDICATES PART IS SYMMETRICAL ABOUT CENTRE LINE UNO.

TOLERANCE - UNO	
LINEAR	± N/A
ANGULAR	± N/A
WELDING - UNO	
WELDS	N/A
AS1554.1 Steel Structures AS1554.4 High Strength Quenched & Tempered Steels	
DIMENSIONS IN MILLIMETERS - UNO	

COPYRIGHT AND REPRODUCTION
Copyright in the drawings information and data recorded here on and their format and presentation ("data") is the property of Matthew Robe (MJR) and may not be used, copied or reproduced in whole or part for any purpose other than that for which it is supplied by MJR without the prior consent of MJR. MJR is not responsible for any document or part of a document produced containing data unless that document or the relevant part is identical to the document produced herewith ("the accompanying document"). The terms printed on this label are part of the data and the accompanying documents and must be contained or affixed to any reproduction of the data or the accompanying documents.

Sheet Size
A3
AS 1100-1993
THIRD ANGLE PROJECTION

A	ORIGINAL ISSUE	17/05/2021	MJR
REVISION	DETAILS	DATE	INITIALS
Client: MATTHEW ROBE			
Project: 10 LUPIN COURT			
Title: SHED LAYOUT			
Date:	17/05/2021		
Scale:	DO NOT SCALE		
Drawn By:	M. Robe	Drawing No.	00000-01
Designed By:	M. Robe	Rev.	A
Checked By:	M. Robe	Cad File: 00000-00.idw	